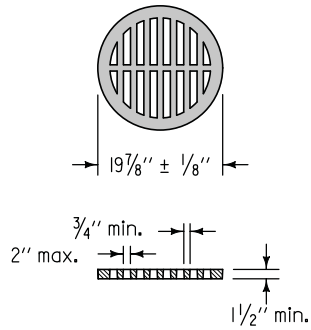
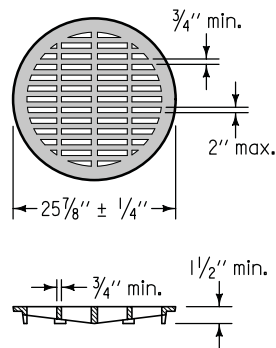


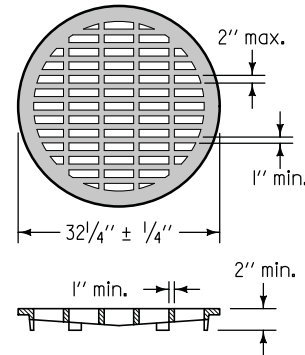
TYPE 4



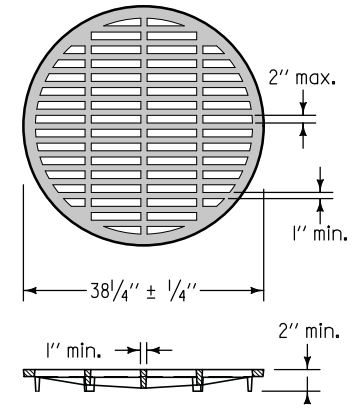
TYPE 4A  
For Placement on 18" RCP



TYPE 4B  
For Placement on 24" RCP

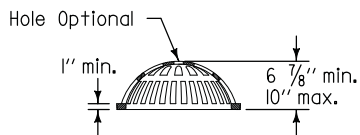
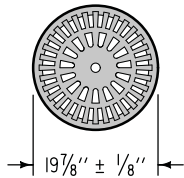


TYPE 4C  
For Placement on 30" RCP

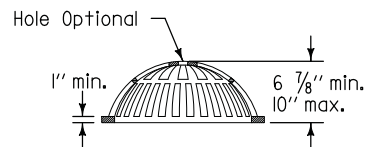
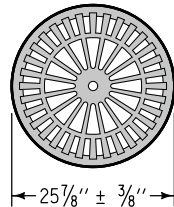


TYPE 4D  
For Placement on 36" RCP

TYPE 3  
(Light Duty)



TYPE 3A  
For Placement on 18" RCP



TYPE 3B  
For Placement on 24" RCP

TYPE 5  
(Light Duty)  
For Placement on 24" to 30" RCP

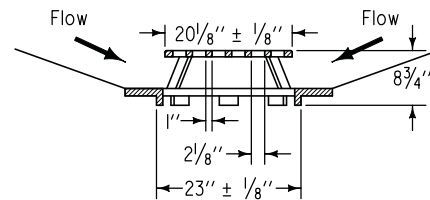
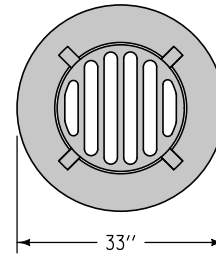
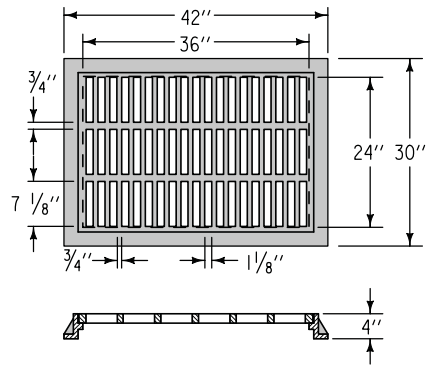


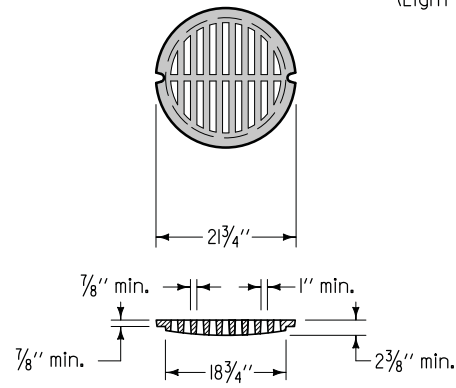
FIGURE 6010.604 SHEET 1 OF 2

		REVISION
		1   10-20-09
<b>FIGURE 6010.604 STANDARD ROAD PLAN</b>		<b>SW-604</b> SHEET 1 of 2
REVISIONS: Added Type 9 Grate to sheet 2. Added shading.		
SUDAS DIRECTOR		DESIGN METHODS ENGINEER
<b>CASTINGS FOR AREA INTAKES</b>		

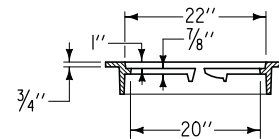
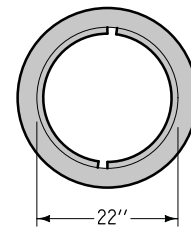
**TYPE 6**



**TYPE 9**  
(Light Duty)



**GRATE** ①  
Minimum Weight = 85 lbs.



**FRAME**  
Minimum Weight = 75 lbs.

① Cast grate without locking lugs so it may be used in an inverted position.

SUDAS	Iowa Department of Transportation	REVISION
		1   10-20-09
<b>FIGURE 6010.604 STANDARD ROAD PLAN</b>		<b>SW-604</b>
		SHEET 2 of 2
REVISIONS: Added Type 9 Grate to sheet 2. Added shading.		
 SUDAS DIRECTOR	 Deanna Mailfield DESIGN METHODS ENGINEER	
<b>CASTINGS FOR AREA INTAKES</b>		