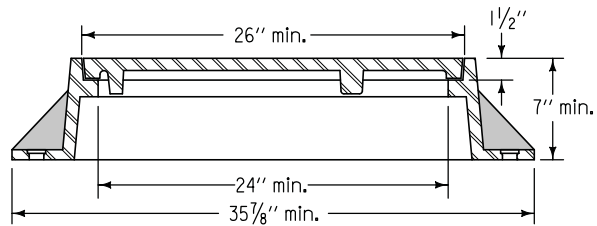
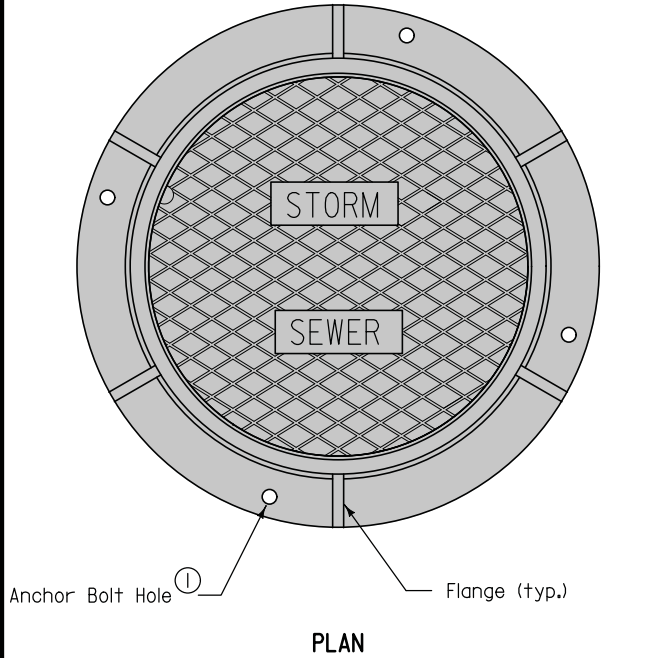
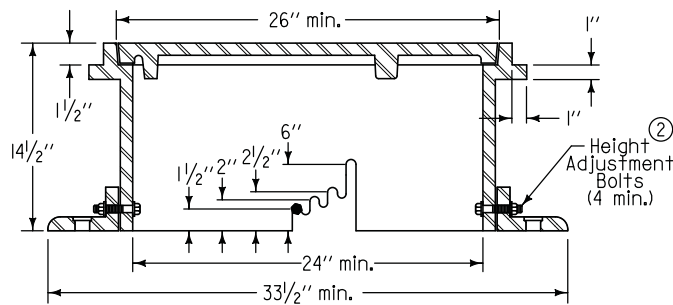
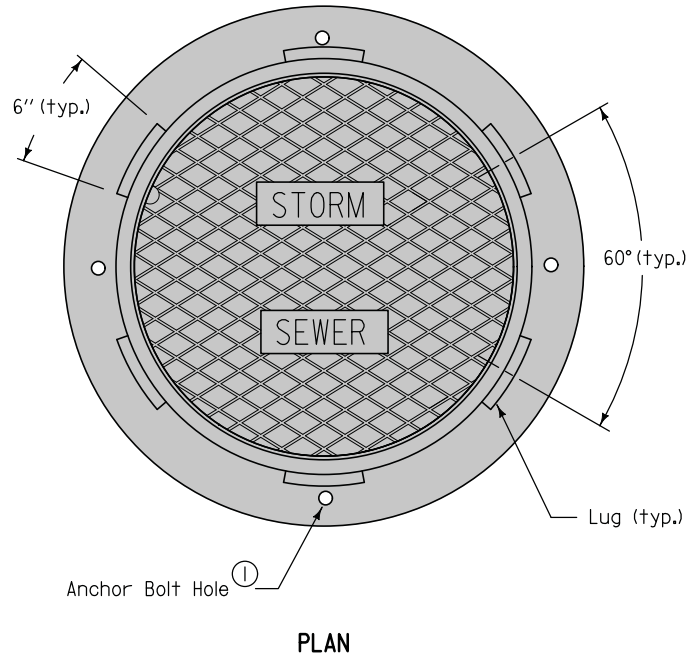


TYPE E
Two-piece fixed casting



TYPICAL SECTION

TYPE F
Three-piece floating casting



TYPICAL SECTION

Frame Notes:
Size and spacing of lugs and flanges may vary.

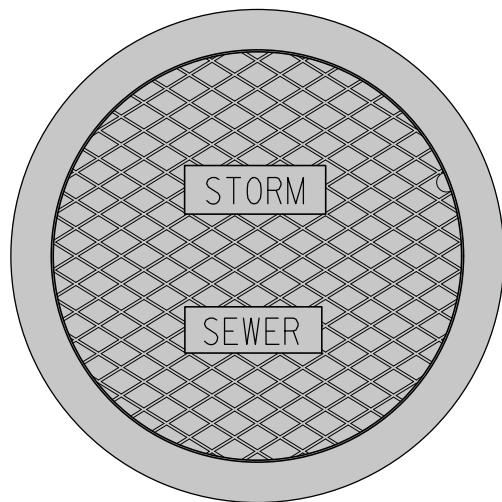
Cover Notes:
Roughness pattern and text styles may vary.
Minimum one concealed pickhole.

- ① When the contract documents require the frame to be attached to the structure, drill four 7/8" diameter holes or slots, equally spaced around frame.
- ② Remove bolts upon completion of paving.

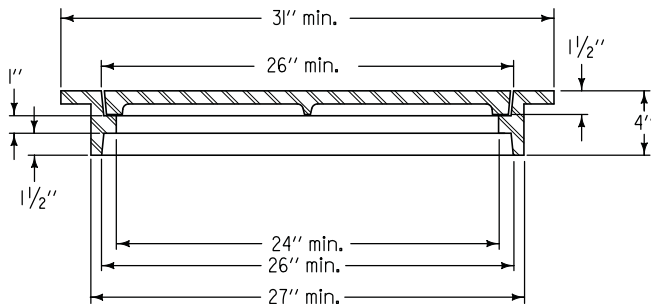
FIGURE 6010.602 SHEET 1 OF 2

SUDAS Iowa Department of Transportation	REVISION 1 10-20-09
	SW-602 SHEET 1 of 2
FIGURE 6010.602 STANDARD ROAD PLAN	
REVISIONS: Changed note 1 and added shading.	
SUDAS DIRECTOR	Deanna Mailfield DESIGN METHODS ENGINEER
CASTINGS FOR STORM SEWER MANHOLES	

TYPE G
Two-piece fixed casting




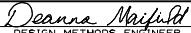


PLAN



TYPICAL SECTION

FIGURE 6010.602 SHEET 2 OF 2

 SUDAS	 Iowa Department of Transportation	REVISION
		1 10-20-09
FIGURE 6010.602	STANDARD ROAD PLAN	SW-602
		SHEET 2 of 2
REVISIONS: Changed note 1 and added shading.		
 SUDAS DIRECTOR		 DESIGN METHODS ENGINEER
CASTINGS FOR STORM SEWER MANHOLES		