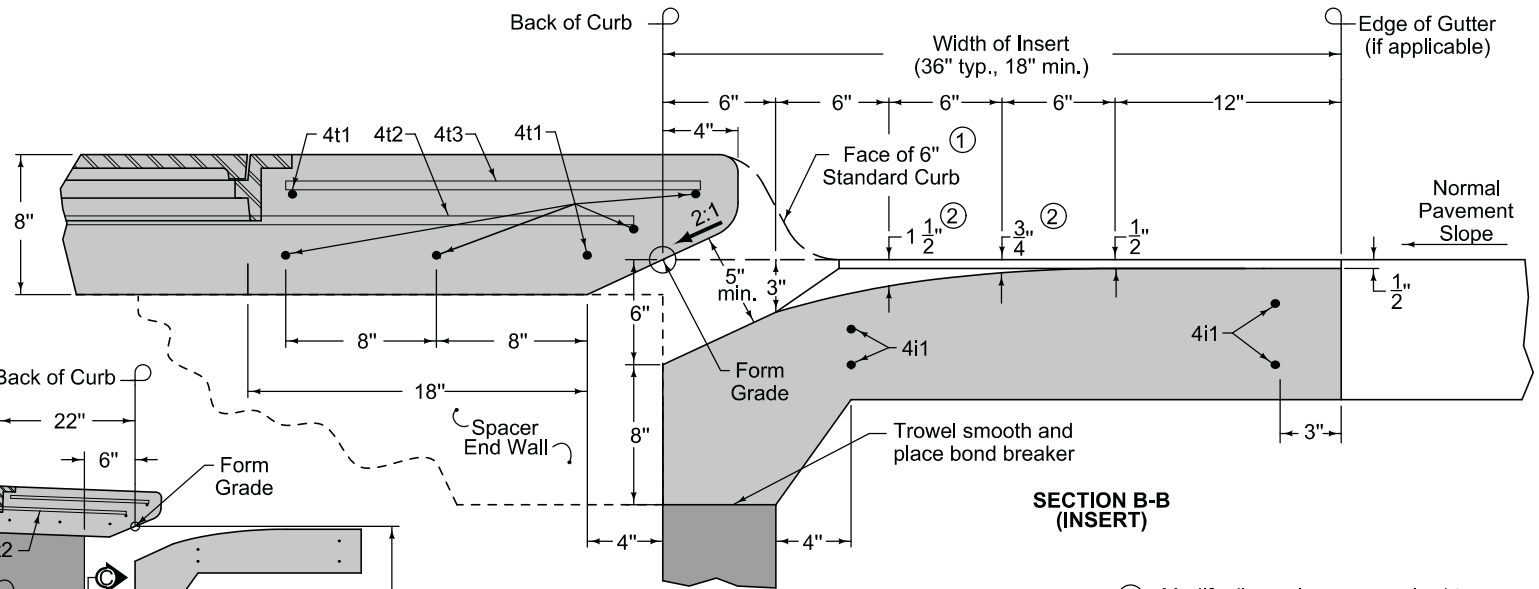
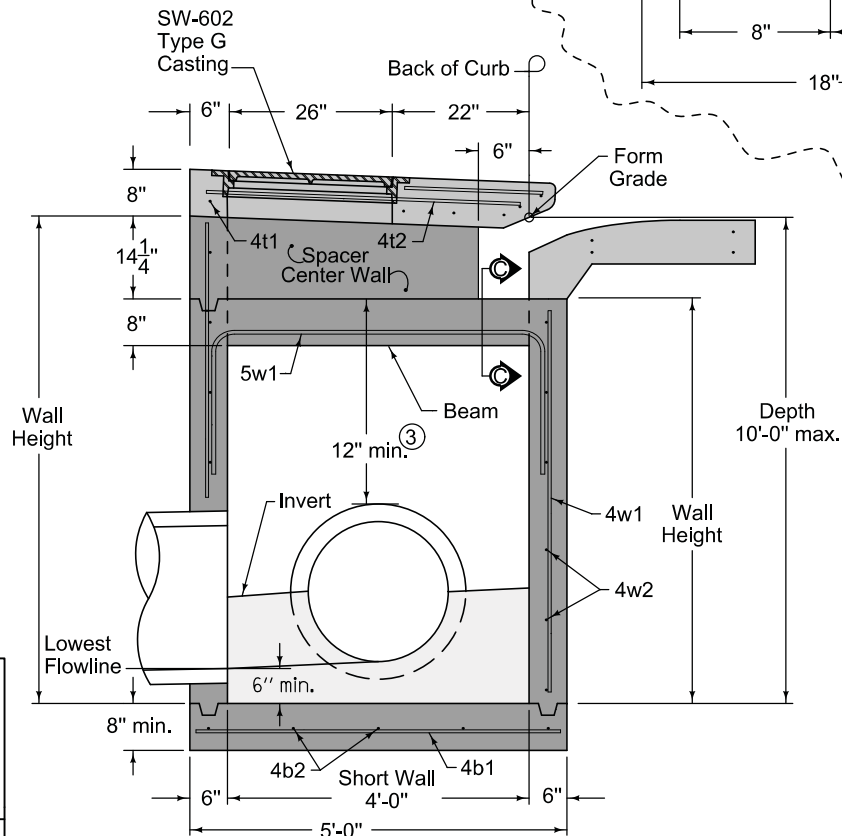


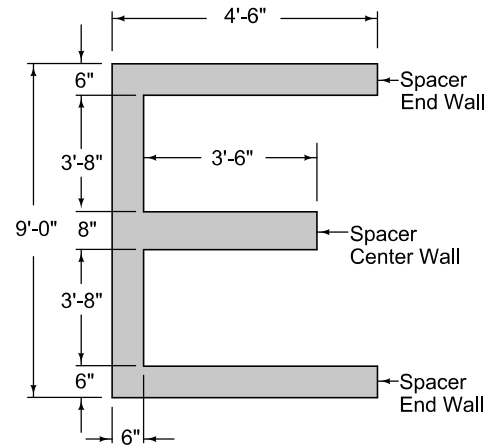
SECTION C-C



SECTION B-B
(INSERT)



SECTION A-A

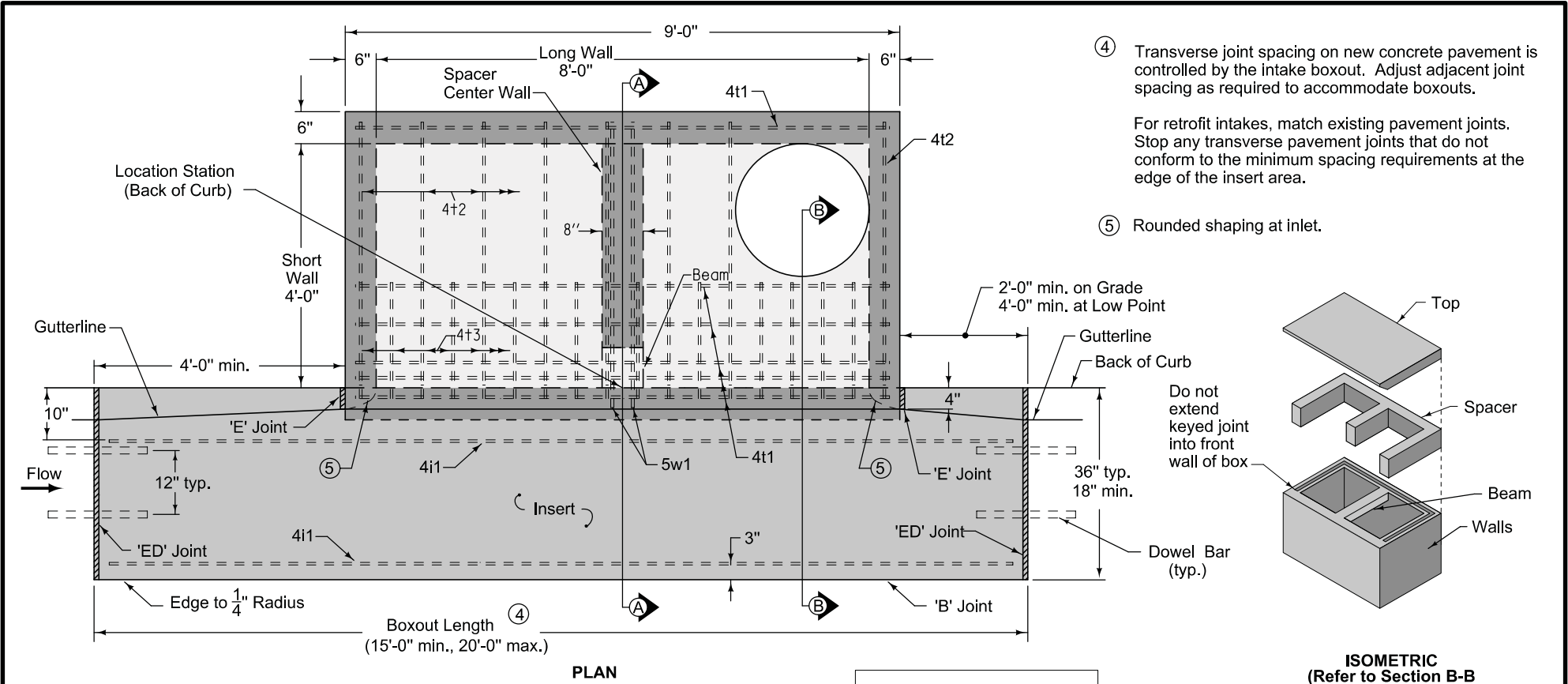


PLAN
(SPACER)

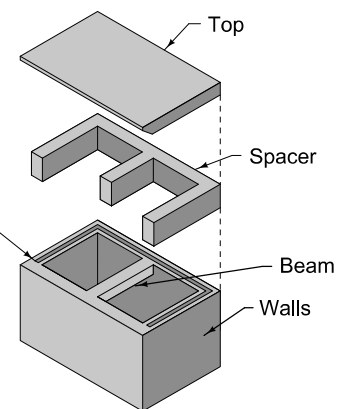
- ① Modify dimensions as required to accommodate other curb heights when specified.
- ② Insert shaping may be modified for insert widths less than 36 inches. For an 18-inch insert, reduce dimensions indicated by 1/4 inch.
- ③ 12 inch minimum wall height above all pipes.

FIGURE 6010.510 SHEET 1 OF 2

SUDAS	Iowa Department of Transportation	REVISION
		3 10-18-11
FIGURE 6010.510 STANDARD ROAD PLAN		SW-510 SHEET 1 of 2
REVISIONS: Added circle note 5 and note for transitioning curbs. Clarified spacer dimensions and configuration.		
<i>Paul D. Wiegand</i> SUDAS DIRECTOR		<i>Deanna Mayfield</i> DESIGN METHODS ENGINEER
DOUBLE OPEN-THROAT CURB INTAKE, LARGE BOX		

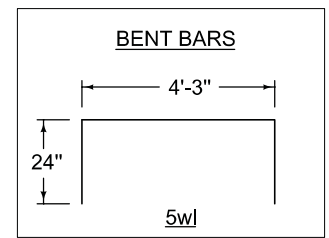


- ④ Transverse joint spacing on new concrete pavement is controlled by the intake boxout. Adjust adjacent joint spacing as required to accommodate boxouts.
- ⑤ Rounded shaping at inlet.



ISOMETRIC
(Refer to Section B-B for alignment of Top with Spacer)

PLAN



MAXIMUM PIPE DIAMETERS		
Pipe Location	Precast Structure	Cast-in-place Structure
Short Wall	30"	36"
Long Wall	60"	66"

REINFORCING BAR LIST						
Mark	Size	Location	Shape	Count	Length	Spacing
4b1	4	Base	—	9	4'-6"	12"
4b2	4	Base	—	6	8'-6"	11"
4i1	4	Insert	—	4	Boxout Length minus 8"	See Insert
4t1	4	Top	—	7	8'-6"	See Plan
4t2	4	Top	—	8	4'-4"	12"
4t3	4	Top	—	18	1'-10"	6"
4w1	4	Walls	—	24	Wall Height minus 4"	13"
4w2	4	Long Walls	—	Varies	4'-8"	12"
4w3	4	Short Walls	—	Varies	8'-8"	12"
5w1	5	Beam	⌊	2	8'-3"	4"

SUDAS Iowa Department of Transportation	REVISION 3 10-18-11
	FIGURE 6010.510 STANDARD ROAD PLAN SW-510 SHEET 2 of 2
REVISIONS: Added circle note 5 and note for transitioning curbs. Clarified spacer dimensions and configuration. <i>Paul D. Weigand</i> SUDAS DIRECTOR <i>Deanna Maxwell</i> DESIGN METHODS ENGINEER	
DOUBLE OPEN-THROAT CURB INTAKE, LARGE BOX	

FIGURE 6010.510 SHEET 2 OF 2