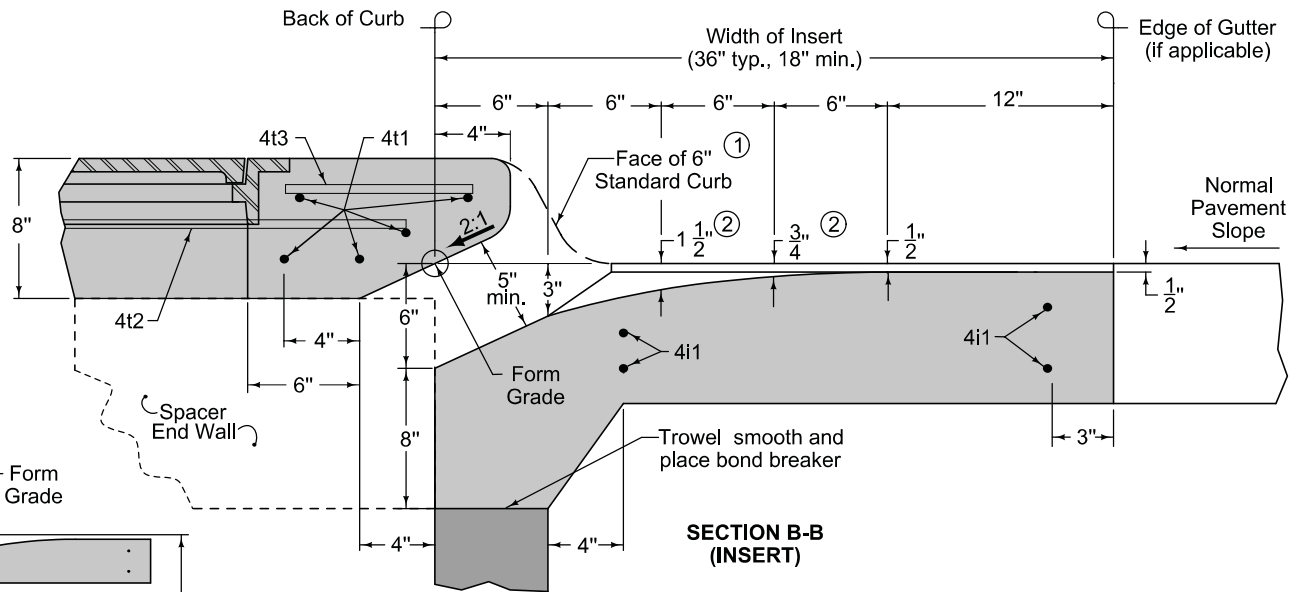
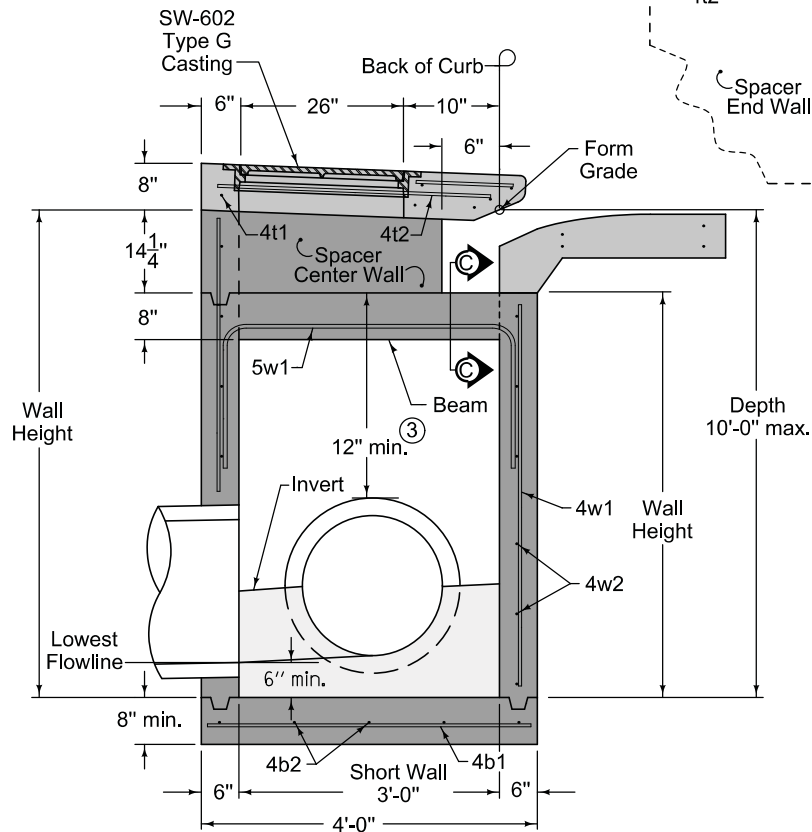


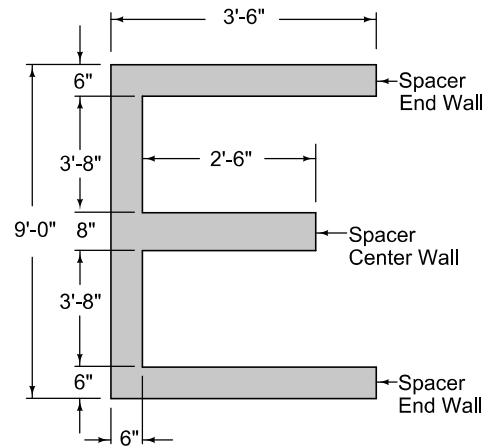
SECTION C-C



SECTION B-B
(INSERT)



SECTION A-A

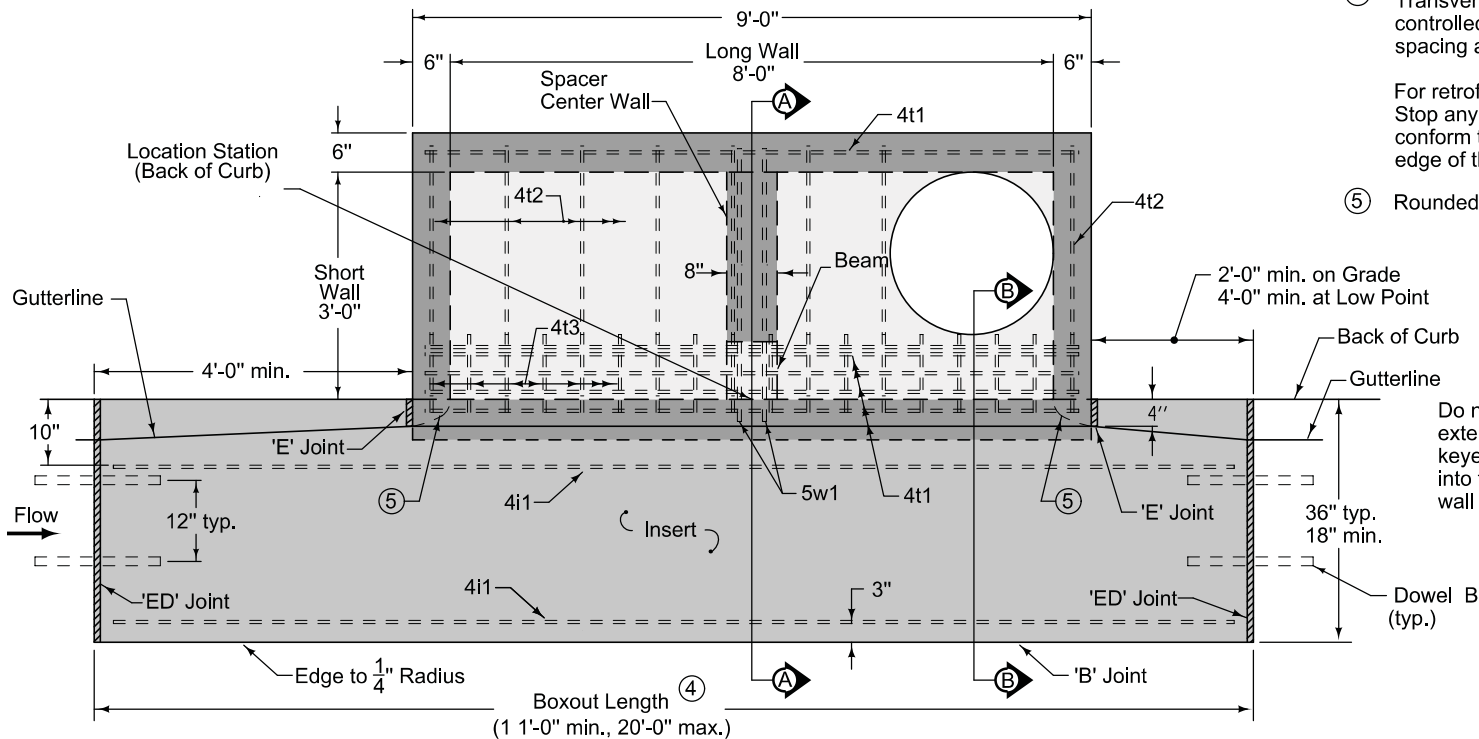


PLAN
(SPACER)

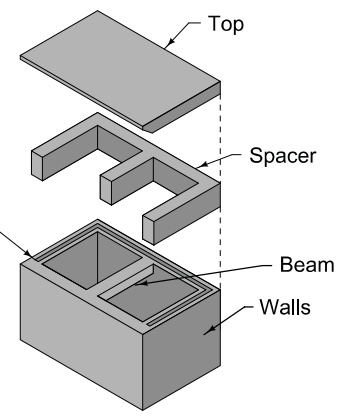
- ① Modify dimensions as required to accommodate other curb heights when specified.
- ② Insert shaping may be modified for insert widths less than 36 inches. For an 18-inch insert, reduce dimensions indicated by 1/4 inch.
- ③ 12 inch minimum wall height above all pipes.

FIGURE 6010.509 SHEET 1 OF 2

SUDAS	Iowa Department of Transportation	REVISION
		3 10-18-11
FIGURE 6010.509 STANDARD ROAD PLAN		SW-509 SHEET 1 of 2
REVISIONS: Added circle note 5 and note for transitioning curbs. Clarified spacer dimensions and configuration.		
<i>Paul D. Weigand</i> SUDAS DIRECTOR		<i>Deanna Maxwell</i> DESIGN METHODS ENGINEER
DOUBLE OPEN-THROAT CURB INTAKE, SMALL BOX		

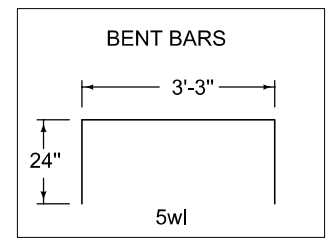


For retrofit intakes, match existing pavement joints. Stop any transverse pavement joints that do not conform to the minimum spacing requirements at the edge of the insert area.



ISOMETRIC
(Refer to SECTION B-B for alignment of Top with Spacer)

PLAN



MAXIMUM PIPE DIAMETERS		
Pipe Location	Precast Structure	Cast-in-place Structure
Short Wall	24"	30"
Long Wall	60"	66"

REINFORCING BAR LIST						
Mark	Size	Location	Shape	Count	Length	Spacing
4b1	4	Base	—	9	3'-6"	12"
4b2	4	Base	—	5	8'-6"	10"
4i1	4	Insert	—	4	Boxout Length minus 8"	See Insert
4t1	4	Top	—	6	8'-6"	See Plan
4t2	4	Top	—	8	3'-6"	12"
4t3	4	Top	—	18	10"	6"
4w1	4	Walls	—	22	Wall Height minus 4"	13"
4w2	4	Long Walls	—	Varies	4'-8"	12"
4w3	4	Short Walls	—	Varies	3'-8"	12"
5w1	5	Beam	U	2	7'-3"	4"

FIGURE 6010.509 SHEET 2 OF 2

SUDAS Iowa Department of Transportation	REVISION 3 10-18-11
	SW-509 SHEET 2 of 2
FIGURE 6010.509 STANDARD ROAD PLAN	
REVISIONS: Added circle note 5 and note for transitioning curbs. Clarified spacer dimensions and configuration.	
<i>Paul D. Weigand</i> SUDAS DIRECTOR <i>Deanna Maxwell</i> DESIGN METHODS ENGINEER	
DOUBLE OPEN-THROAT CURB INTAKE, SMALL BOX	