

TYPICAL SECTION

INSERT

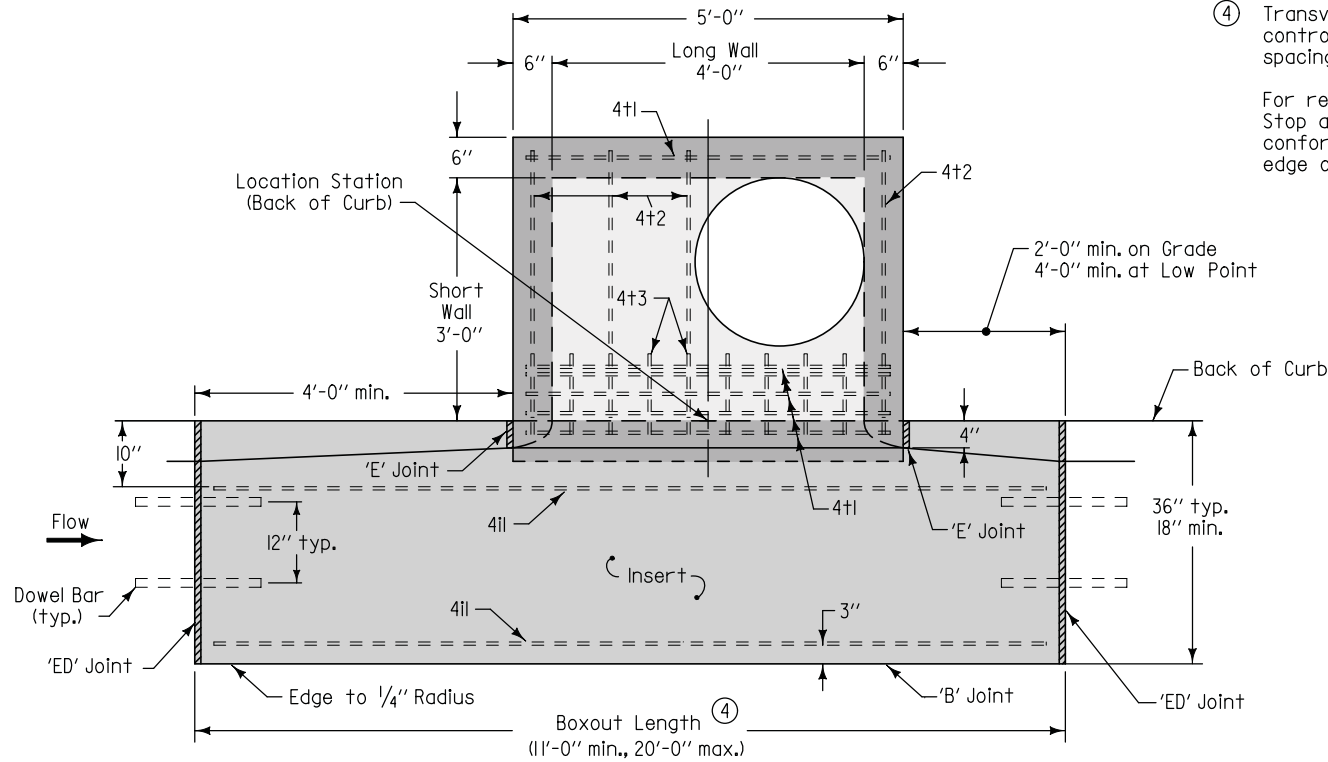
- ① Modify dimensions as required to accommodate other curb heights when specified.
- ② Insert shaping may be modified for insert widths less than 36 inches. For an 18-inch insert, reduce dimensions indicated by 1/2 inch.
- ③ 12-inch minimum wall height above all pipes.

FIGURE 6010.507 SHEET 1 OF 2

SUDAS	Iowa Department of Transportation	REVISION
		1   10-20-09
<b>FIGURE 6010.507</b> STANDARD ROAD PLAN		<b>SW-507</b> SHEET 1 of 2
REVISIONS: Adjusted depth line and shading. Removed minimum depth. Renamed standard.		
SUDAS DIRECTOR		Deanna Maifield DESIGN METHODS ENGINEER
<b>SINGLE OPEN-THROAT CURB INTAKE, SMALL BOX</b>		

④ Transverse joint spacing on new concrete pavement is controlled by the intake boxout. Adjust adjacent joint spacing as required to accommodate boxouts.

For retrofit intakes, match existing pavement joints. Stop any transverse pavement joints that do not conform to the minimum spacing requirements at the edge of the insert area.



PLAN

MAXIMUM PIPE DIAMETERS		
Pipe Location	Precast Structure	Cast-in-place Structure
Short Wall	24"	30"
Long Wall	30"	36"

REINFORCING BAR LIST						
Mark	Size	Location	Shape	Count	Length	Spacing
4t1	4	Top	—	6	4'-8"	See Insert
4t2	4	Top	—	4	3'-6"	12"
4t3	4	Top	—	10	10"	6"
4b1	4	Base	—	6	3'-6"	11"
4b2	4	Base	—	5	4'-6"	10"
4il	4	Insert	—	4	Boxout Length minus 8"	See Plan
4w1	4	Walls	—	14	Wall Height minus 4"	14"
4w2	4	Long Walls	—	Varies	4'-8"	12"
4w3	4	Short Walls	—	Varies	3'-8"	12"

SUDAS Iowa Department of Transportation	REVISION 1   10-20-09
	<b>FIGURE 6010.507</b> STANDARD ROAD PLAN <b>SW-507</b> SHEET 2 of 2
REVISIONS: Adjusted depth line and shading. Removed minimum depth. Renamed standard.	
SUDAS DIRECTOR	Deanna Marfield DESIGN METHODS ENGINEER
<b>SINGLE OPEN-THROAT CURB          INTAKE, SMALL BOX</b>	