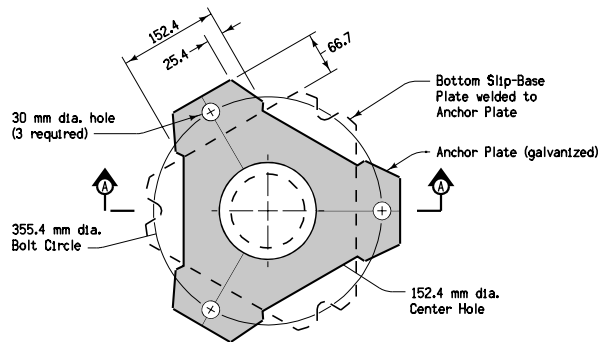
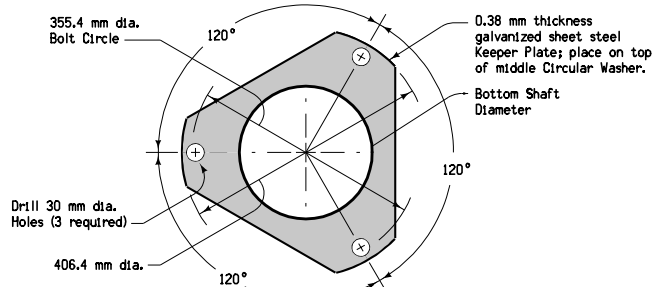


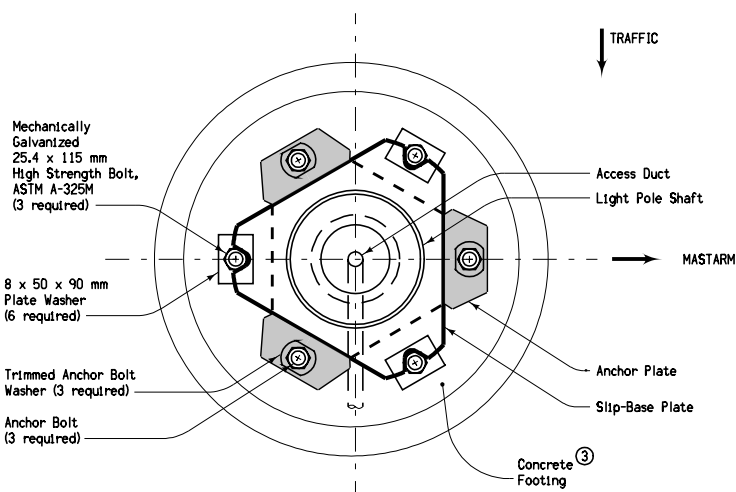
**SLIP-BASE PLATE**



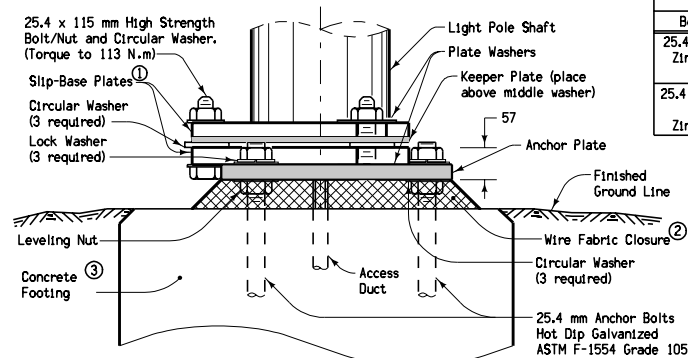
**ANCHOR PLATE**



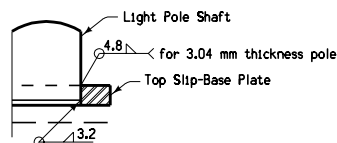
**KEEPER PLATE**



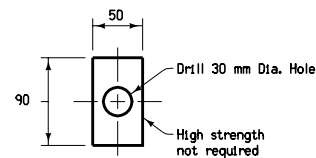
**PLAN**



**TYPICAL INSTALLATION**

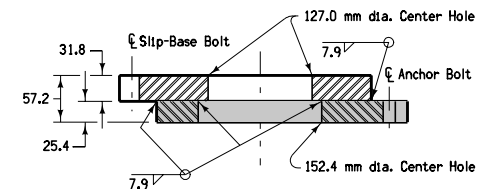


**TYPICAL HALF SECTION 'B'**



**8 mm THICK PLATE WASHER**

- ① The top Slip-Base Plate shall be positioned to clear all Anchor Bolts.
- ② Wire fabric material shall comply with Materials I.M. 443.01. Wire fabric shall be placed around anchor bolt circle between concrete footing and base plate. The fabric shall fit tight to the bottom surface of the base plate and the top surface of the footing to prevent rodent entry.
- ③ Refer to RM-47 for footing details.



**SECTION A-A ANCHOR PLATE**

| HARDWARE CLASSIFICATION          |                                   |                                   |                         |                           |
|----------------------------------|-----------------------------------|-----------------------------------|-------------------------|---------------------------|
| Bolt Size                        | Bolt Grade                        | Nuts                              | Washers                 | Galvanizing               |
| 25.4 x 115 mm Zinc Coated        | ASTM A-325M Type 1 Zinc Coated    | ASTM A-563M Class 10S Zinc Coated | ASTM F-436M Zinc Coated | ASTM B-695 Class C Type 1 |
| 25.4 mm Anchor Bolts Zinc Coated | ASTM F-1554 Grade 105 Zinc Coated | ASTM A-563M Class 10S Zinc Coated | ASTM F-436M Zinc Coated | ASTM A-153M Class C       |

All dimensions given in millimeters unless noted.

|                       |   |  |
|-----------------------|---|--|
| <b>METRIC VERSION</b> | <p>Iowa Department of Transportation</p>                              | <small>REVISION</small><br>6   10-16-07                                |
|                       |   | <p><b>STANDARD ROAD PLAN</b></p> <p>REVISIONS: Added note 2 and 3.</p> |
|                       | <p><i>Deanna Mufsh</i></p> <p>APPROVED BY DESIGN METHODS ENGINEER</p> |  |
|                       | <p><b>SLIP BASE FOR LIGHT POLES</b></p>                               |  |