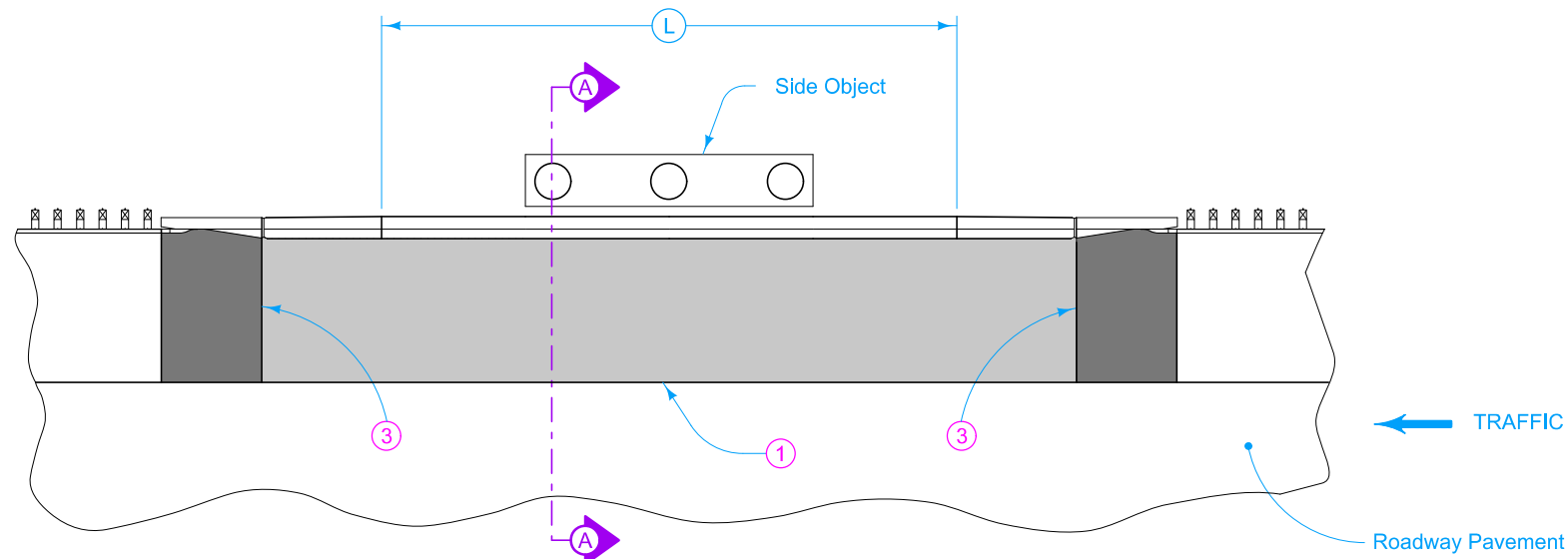


ELEVATION



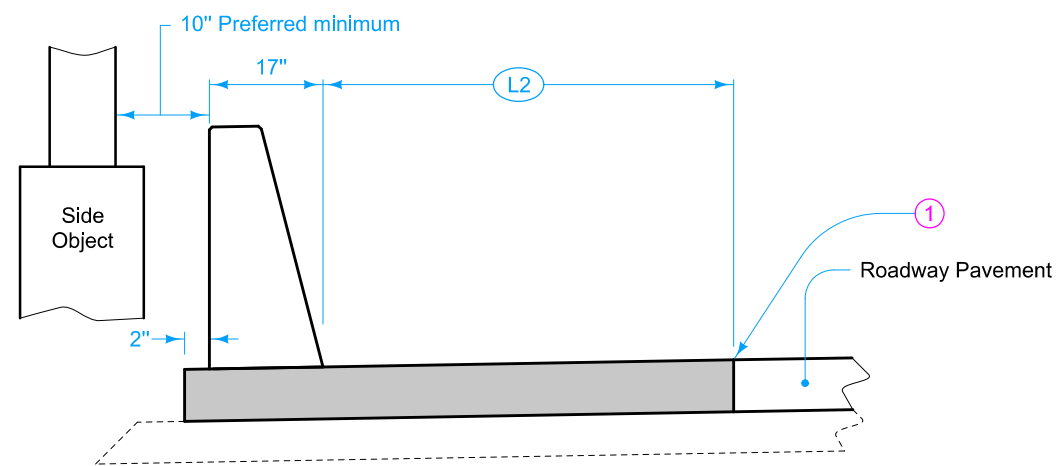
PLAN

- ① "L-2" or "KT-2" joint. When roadway pavement is existing, use "BT-3" joint. See PV-101.
- ② Refer to BA-250.
- ③ "C" Joint; match existing roadway joints when possible. See PV-101.
- ④ Refer to project typicals.
- ⑤ Refer to BA-106.

Possible Contract Items:  
 Concrete Barrier items  
 Steel Beam Guardrail items  
 PCC Paved Shoulder  
 Reinforced Paved Shoulder

Possible Tabulations:  
 108-18B  
 112-9

LEGEND	
	PCC Paved Shoulder ④
	Reinforced PCC Paved Shoulder ⑤



SECTION A-A

	REVISION	
	4	10-18-22
<b>STANDARD ROAD PLAN</b>		<b>BA-150</b>
		SHEET 1 of 1
REVISIONS: Changed from F-shape to Texas single slope.		
 APPROVED BY DESIGN METHODS ENGINEER		
<b>SIDE OBJECT PROTECTION          WITH          CONCRETE BARRIER AND GUARDRAIL</b>		