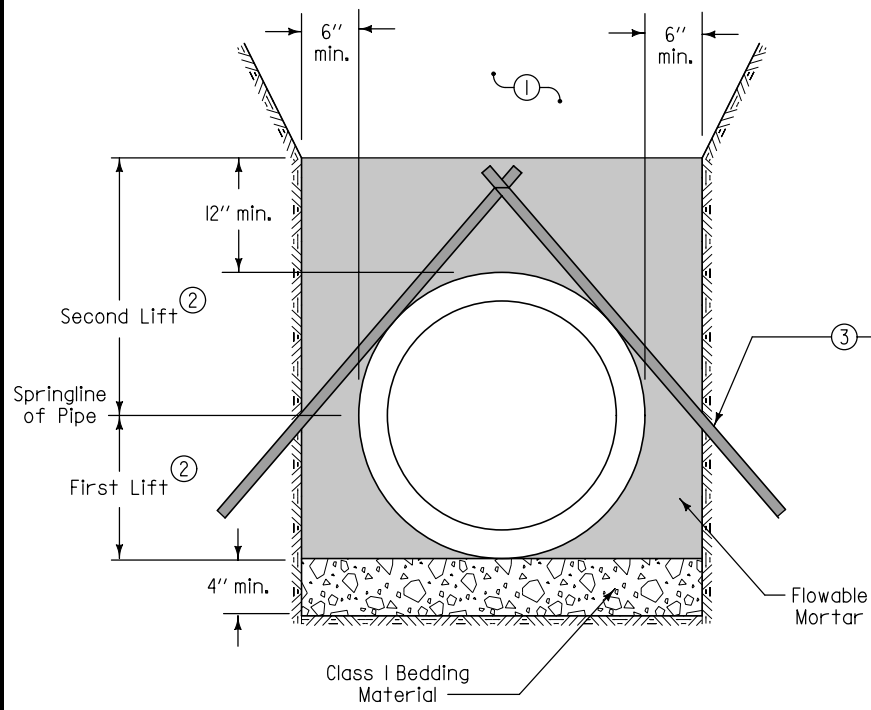
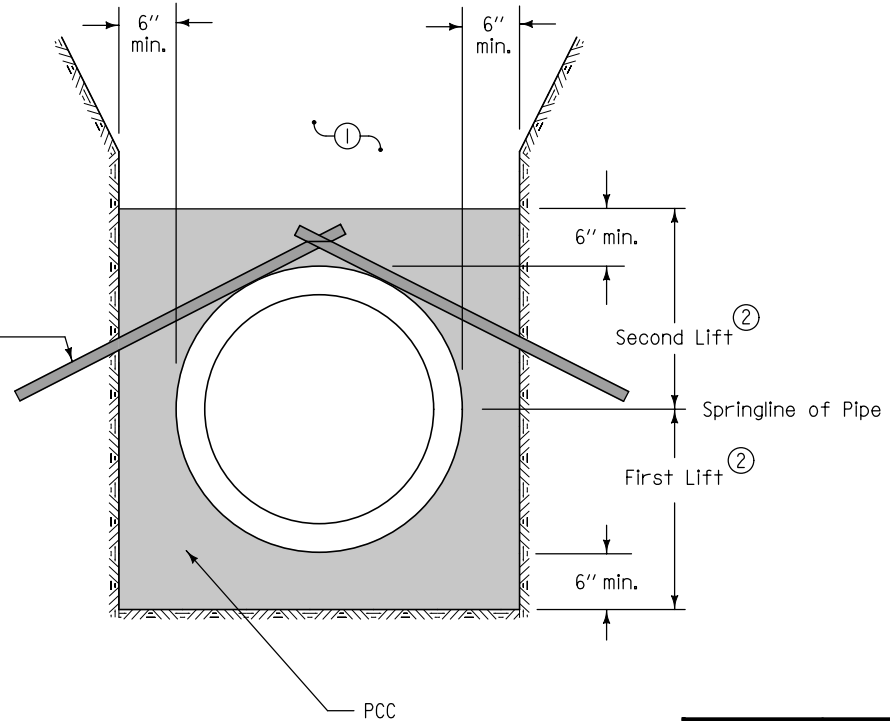


- ① Place remainder of bedding and backfill material as specified in the contract documents.
- ② Place encasement material in two lifts, or as required to prevent pipe flotation. Allow previous lift to reach initial set prior to placing subsequent lifts.
- ③ Restrain pipe as necessary to prevent flotation.



FLOWABLE MORTAR ENCASUREMENT



PCC ENCASUREMENT

FIGURE 3010.105 SHEET 1 OF 1

| | | |
|---|-----------------------------------|-------------------------|
| SUDAS | Iowa Department of Transportation | REVISION |
| | | NEW 04-21-09 |
| FIGURE 3010.105 | STANDARD ROAD PLAN | SW-105 |
| | | SHEET 1 of 1 |
| REVISIONS: New. Replaces SUDAS Figures 3010.2 and 3010.9. | | |
| SUDAS DIRECTOR | | DESIGN METHODS ENGINEER |
| MISCELLANEOUS PIPE BEDDING | | |