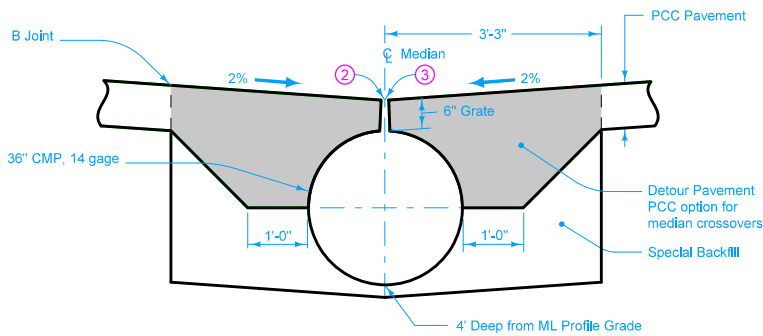
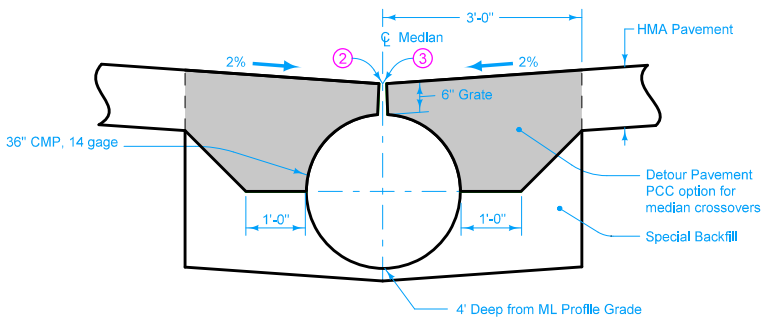


LONGITUDINAL SECTION THROUGH CMP SLOTTED DRAIN ASSEMBLY

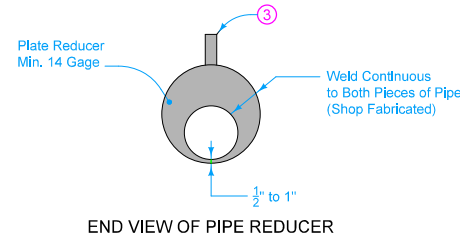
- ① Beveled pipe and guard. See DR-212.
- ② During construction of crossover pavement, cover slotted drain with duct tape or wood block.
- ③ Slotted grate 6 inches high x 1 1/2 inches opening width. Use 3/16 inch material for spacers and bearing bars (sides).



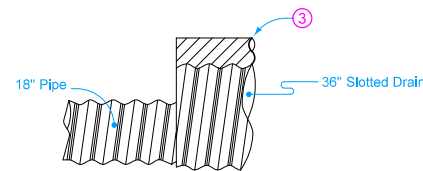
PCC PAVEMENT SITUATION



HMA PAVEMENT SITUATION



END VIEW OF PIPE REDUCER



SIDE VIEW OF PIPE REDUCER

TABLE OF QUANTITIES					
Standard Road Plan	PV-500	PV-503	PV-506	PV-509	PV-512
Median Width	50'	64'	68.24'	82'	100'
③ Slotted Drain Length	116'	110'	110'	102'	94'
① Pipe Length	132'	110'	104'	90'	76'
Bid Items					
36" Corrugated Metal Slotted Pipe Drain w/6" Grate	116'	110'	110'	102'	94'
18" dia. Corrugated Metal Roadway Pipe Culvert	264'	220'	208'	180'	152'

Possible Contract Items:
 Beveled Pipe and Guard
 Culvert, Unclassified Roadway Pipe, 18" Dia.
 Detour Pavement
 Drain, Corrugated Metal Pipe Slotted, 36", w/6" Grate
 Special Backfill

Possible Tabulation:
 112-8

 STANDARD ROAD PLAN	REVISION
	1 10-18-16
	DR-502
SHEET 1 of 1	
REVISIONS: Changed Unclassified Entrance Pipe to Unclassified Roadway Pipe to coincide with Tab 112-8, Median Crossovers.	
 APPROVED BY DESIGN METHODS ENGINEER	

**SLOTTED DRAIN FOR
 MEDIAN CROSSEVERS**