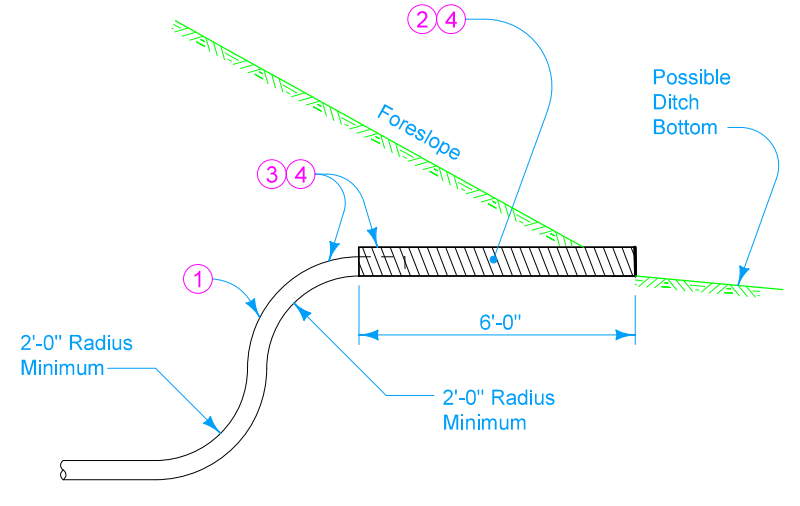
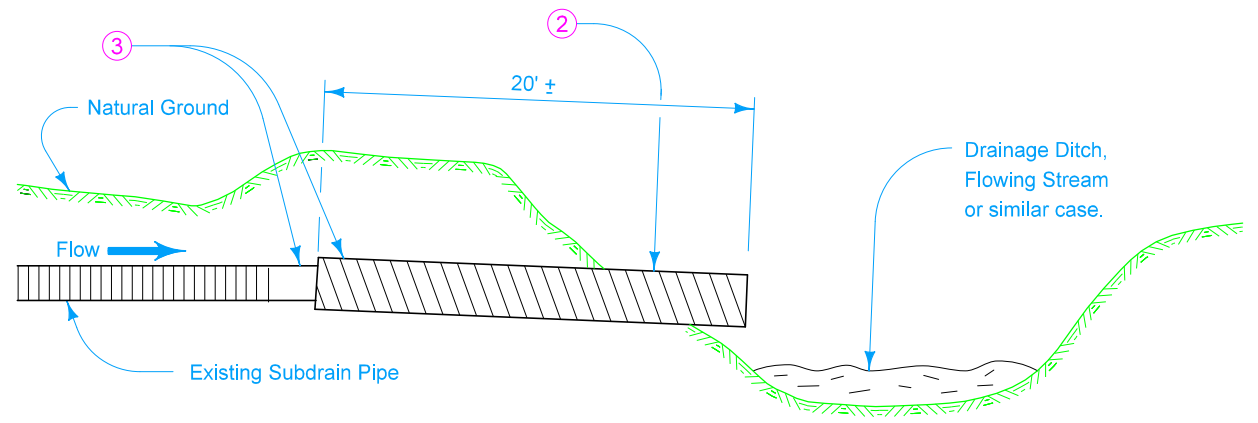


STANDARD SUBDRAIN OUTLET  
TYPE A  
For existing subdrain pipes 12" or less in diameter. <sup>5</sup>



PRESSURE RELEASE OUTLET  
TYPE B



SPECIAL OUTLET  
TYPE C

- ① Perforated Subdrain (Polyethylene Corrugated Tubing).
- ② If corrugated metal pipe is used, an outlet 2 inches larger than existing subdrain pipe is required. If double-walled PE or PVC pipe is used, an outlet pipe of the same diameter as the existing subdrain pipe may be used.
- ③ The pipes should be coupled in one of the two following ways: (1) Use an inside fit reducer coupler (coupler must be inserted a minimum of 12 inches into C.M.P.); or (2) Insert 12 inches of the existing subdrain pipe into the corrugated metal outlet pipe, then fully seal the entire opening with grout.
- ④ If a concrete headwall is used, refer to DR-306.
- ⑤ For existing subdrain pipes larger than 12 inches in diameter, use Special Outlet, Type C.

Possible Contract Item:  
Subdrain Outlet (DR-305)

Possible Tabulations:  
104-5C  
104-6

 <b>STANDARD ROAD PLAN</b>	REVISION	
	2	04-19-22
	<b>DR-305</b>	
SHEET 1 of 1		

REVISIONS: Added 104-6 to Possible Tabulations.

*Shawn Miller*  
APPROVED BY DESIGN METHODS ENGINEER

**SUBDRAIN OUTLETS  
(STANDARD SUBDRAIN,  
PRESSURE RELEASE AND SPECIAL)**