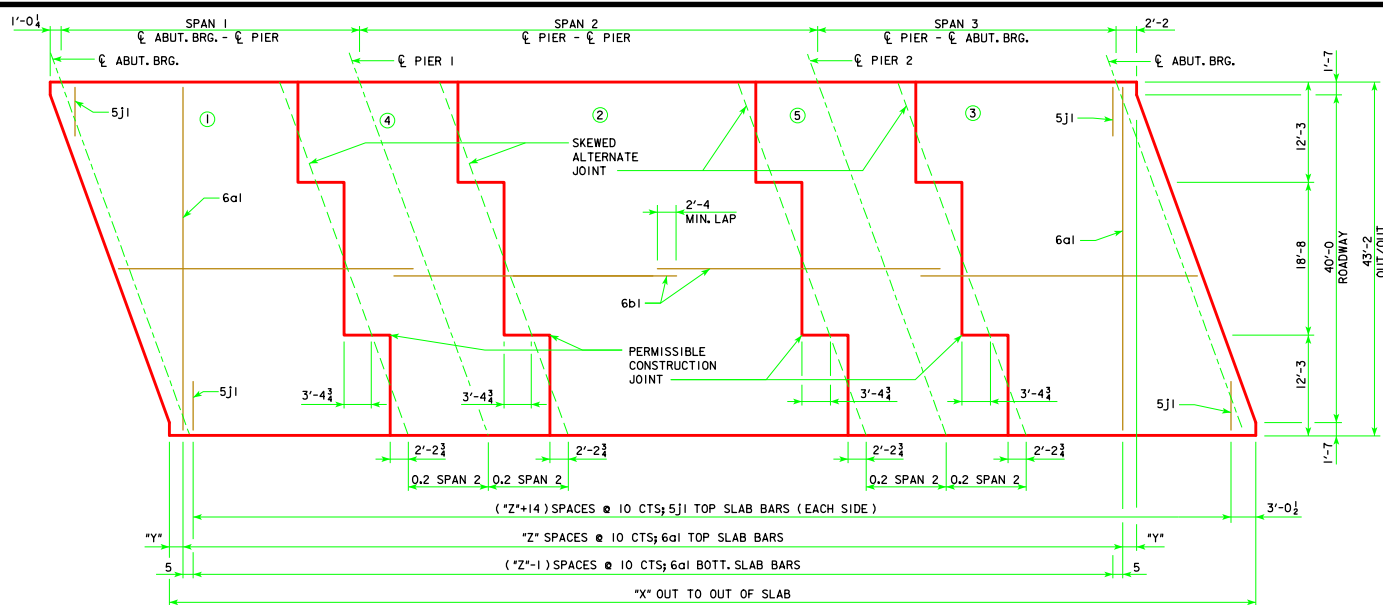
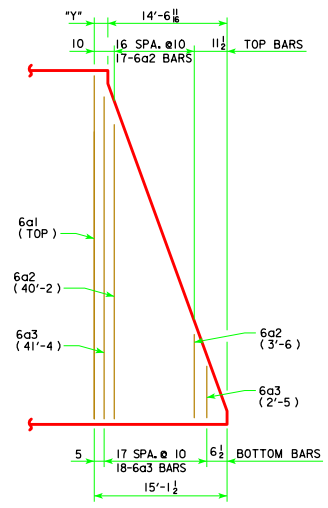


REVISED 07-2015 - CHANGED NOTE 1. CONCRETE PLACEMENT NOTE TO ACCOUNT FOR THE POSSIBLE ADDITION OF A RETARDING ADMIXTURE TO THE CONCRETE.



CONCRETE PLACEMENT DIAGRAM SHOWING SLAB REINFORCING (RIGHT AHEAD SKEW SHOWN, LEFT AHEAD SKEW SIMILAR)



END OF SLAB REINFORCING
(TYPICAL EACH END OF DECK)

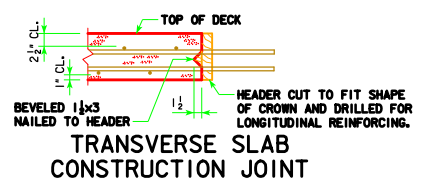
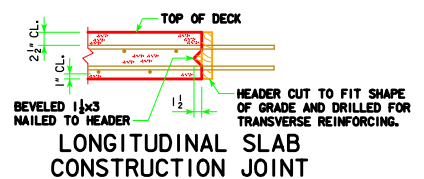
REINFORCEMENT DIMENSIONS	160'-0	180'-0	200'-0	220'-0	240'-0	260'-0	280'-0	300'-0	320'-0	340'-0
℄-℄ ABUTMENT BEARINGS										
X (FT.-IN.)	163'-2 1/4	183'-2 1/4	203'-2 1/4	223'-2 1/4	243'-2 1/4	263'-2 1/4	283'-2 1/4	303'-2 1/4	323'-2 1/4	343'-2 1/4
Y (IN.)	6 1/8	6 1/8	6 1/8	6 1/8	6 1/8	6 1/8	6 1/8	6 1/8	6 1/8	6 1/8
Z (SPACES)	177	201	225	249	273	297	321	345	369	393

Δ NOTE:
CONCRETE QUANTITIES SHALL BE LISTED ON THE SUMMARY QUANTITIES SHEET.

Δ CONCRETE PLACEMENT QTYS. (SUPERSTRUCTURE PLUS INTEGRAL ABUTMENTS)	160'-0	180'-0	200'-0	220'-0	240'-0	260'-0	280'-0	300'-0	320'-0	340'-0
SLAB, AND ABUT DIAPHRAGM, SECTION 1 & 3	CY 116.2	CY 126.2	CY 138.6	CY 150.6	CY 160.6	CY 172.5	CY 182.5	CY 192.5	CY 202.6	CY 215.4
SLAB, SECTION 2	CY 42.1	CY 47.4	CY 52.7	CY 58.0	CY 63.2	CY 68.7	CY 74.0	CY 79.2	CY 84.5	CY 89.8
SLAB, SECTION 4 & 5	CY 56.1	CY 63.2	CY 70.2	CY 77.3	CY 84.3	CY 91.6	CY 98.6	CY 105.7	CY 112.7	CY 119.8
ABUTMENT WINGS	CY 7.2	CY 7.2	CY 7.2	CY 7.6	CY 7.6	CY 7.6	CY 7.6	CY 7.6	CY 7.6	CY 13.9
TWO ABUTMENT FOOTINGS	CY 37.2	CY 37.2	CY 37.2	CY 37.2	CY 37.2	CY 37.2	CY 37.2	CY 37.2	CY 37.2	CY 45.0
TOTAL	CY 258.8	CY 281.2	CY 305.9	CY 330.7	CY 352.9	CY 377.6	CY 399.9	CY 422.2	CY 444.6	CY 483.9

ESTIMATED QTYS. (SUPERSTRUCTURE PLUS INTEGRAL ABUTMENTS)	160'-0	180'-0	200'-0	220'-0	240'-0	260'-0	280'-0	300'-0	320'-0	340'-0
NO. OF STEEL H-PILES FOR TWO ABUTMENTS (HP 10 X 57)	NO. 16	NO. 16	NO. 16	NO. 18	NO. 18	NO. 18	NO. 20	NO. 20	NO. 20	NO. 24
BARRIER RAILS	LF 354.4	LF 394.4	LF 434.4	LF 474.4	LF 514.4	LF 554.4	LF 594.4	LF 634.4	LF 674.4	LF 734.0
WING ARMORING - MACADAM STONE	SY 3.5	SY 3.5	SY 3.5	SY 3.5	SY 3.5	SY 3.5	SY 3.5	SY 3.5	SY 3.5	SY 5.7
PREBORED HOLES	LF 160	LF 160	LF 160	LF 180	LF 180	LF 180	LF 200	LF 200	LF 200	LF 240

NOTE:
FOR QUANTITIES OF STRUCTURAL CONCRETE, REINFORCING STEEL AND STRUCTURAL STEEL REFER TO THE SUMMARY QUANTITIES SHEET IN THE BRIDGE PLANS.



NOTES:
1. CONCRETE DECK SHALL BE PLACED IN SECTIONS AND SEQUENCES INDICATED. ALTERNATE PROCEDURES FOR PLACING DECK CONCRETE MAY BE SUBMITTED FOR APPROVAL TOGETHER WITH A STATEMENT OF THE PROPOSED METHOD AND EVIDENCE THAT THE CONTRACTOR POSSESSES THE NECESSARY EQUIPMENT AND FACILITIES TO ACCOMPLISH THE REQUIRED RESULTS. FOR APPROVED ALTERNATE PROCEDURES THE ENGINEER SHALL DETERMINE IF A RETARDING ADMIXTURE IS REQUIRED TO MAINTAIN PLASTICITY OF THE CONCRETE DECK DURING PLACEMENT.

SPAN LENGTHS			
BRIDGE LENGTH	SPAN 1	SPAN 2	SPAN 3
160'-0	48'-0	64'-0	48'-0
180'-0	54'-0	72'-0	54'-0
200'-0	60'-0	80'-0	60'-0
220'-0	66'-0	88'-0	66'-0
240'-0	72'-0	96'-0	72'-0
260'-0	78'-0	104'-0	78'-0
280'-0	84'-0	112'-0	84'-0
300'-0	90'-0	120'-0	90'-0
320'-0	96'-0	128'-0	96'-0
340'-0	102'-0	136'-0	102'-0

07-15
LATEST REVISION DATE

Thomas E. McQuinn
APPROVED BY BRIDGE ENGINEER

STANDARD DESIGN - 40' ROADWAY, 3 SPAN BRIDGES

ROLLED STEEL BEAM BRIDGES

OCTOBER, 2014

SUPERSTRUCTURE QUANTITIES 20° SKEW

RS40-033-14