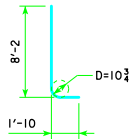


TYPICAL SECTION



d2

NOTE: D = PIN DIAMETER.
DIMENSIONS ARE OUT TO OUT.

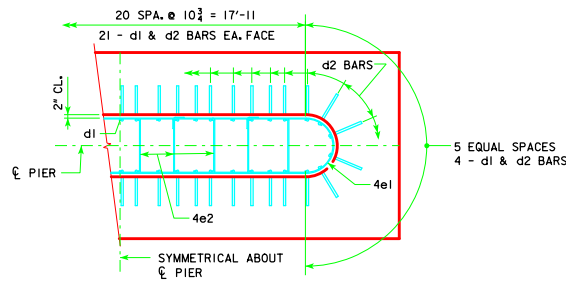
NOTE: THE REINFORCING STEEL QUANTITY IS TO BE INCLUDED ON THE SUMMARY QUANTITIES SHEET IN THE PLAN.

NOTE: THE CONCRETE QUANTITY IS TO BE INCLUDED ON THE SUMMARY QUANTITIES SHEET IN THE PLAN.

NOTE: THE PILE TYPE IS TO BE INCLUDED ON THE SUMMARY QUANTITIES SHEET IN THE PLAN.

H IN FT.	CL - CL ABUT. BRG.	PILING (HP10x57)		FOOTING SIZE
		NO. & LAYOUT	① LRFD PU, STRENGTH I DES. BRG. (KIPS)	
18 TO 21	201'-4	15A	215	3'-6 x 9' x 25'
	213'-10	16A	208	
	226'-4	16A	217	
	243'-0	17A	217	
21 TO 24	201'-4	15A	220	3'-6 x 9' x 25'
	213'-10	16A	213	
	226'-4	17A	213	
	243'-0	18A	207	
22 TO 24	201'-4	16A	210	3'-6 x 9' x 25'
	213'-10	16A	218	
	226'-4	17A	217	
	243'-0	18A	211	

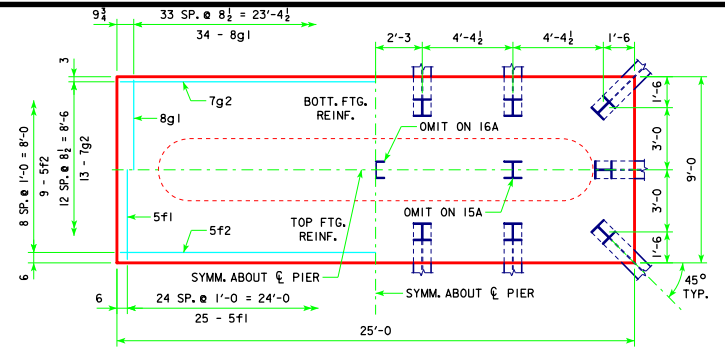
FOOTING SIZE	REINFORCING STEEL (ONE FOOTING)				TOTAL WEIGHT (LB.)	STRUCTURAL CONCRETE (CY)
	BAR NO., SIZE & SPACING	LENGTH	WEIGHT (LB.)			
3'-6 x 9' x 25'	d2 50 - #10 AS SHOWN	10'-0	2152	4052	29.2	
	f1 25 - #5 @ 1'-0	8'-8	226			
	f2 9 - #5 @ 1'-0	24'-8	232			
	g1 34 - #8 @ 0'-8 1/2	8'-8	787			
	g2 13 - #7 @ 0'-8 1/2	24'-8	655			



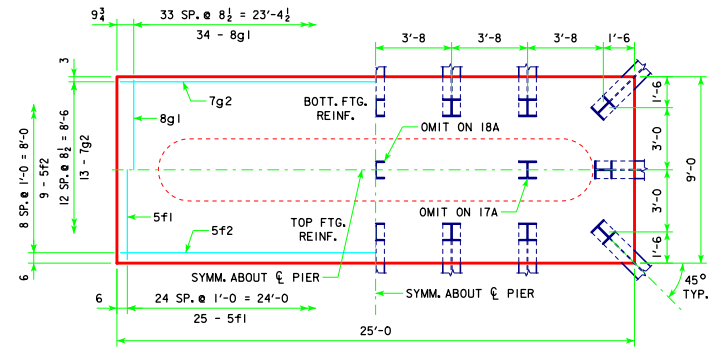
d2 BAR LAYOUT

(SEE SECTION A-A ON SHEET H44-66-14.)

① NOTE: PU, STRENGTH I DESIGN LOAD (KIPS) IS NOT THE VALUE USED IN THE FIELD FOR DRIVING PILES.



3'-6 x 9'-0 x 25'-0 FOR 15A & 16A



3'-6 x 9'-0 x 25'-0 FOR 17A & 18A

FOOTING NOTES:

THESE FOOTINGS ARE DESIGNED AND DETAILED TO BE USED WITH THE CAP AND COLUMN DETAILS OF THE TEE PIERS AS SHOWN ON SHEET H44-66-14.

BATTER PILES IN EXTERIOR ROWS 1:4 IN THE DIRECTION SHOWN.

STEEL PILING USED AS POINT BEARING SHALL HAVE A MINIMUM DISTANCE OF APPROXIMATELY 10 FEET FROM BOTTOM OF FOOTING TO TOP OF BEARING ROCK. THE PILE LAYOUTS ARE SUCH THAT THE DISTANCE CENTER TO CENTER OF ADJACENT PILING SHALL NOT EXCEED 8'-0.

PIER PILES SHALL BE DRIVEN TO VALUES SHOWN IN DESIGN PLANS.

LATEST REVISION DATE	 APPROVED BY BRIDGE ENGINEER	 STANDARD DESIGN - 44' ROADWAY, THREE SPAN BRIDGE PRETENSIONED PRESTRESSED CONCRETE BEAM BRIDGES SEPTEMBER, 2014	H44-70-14