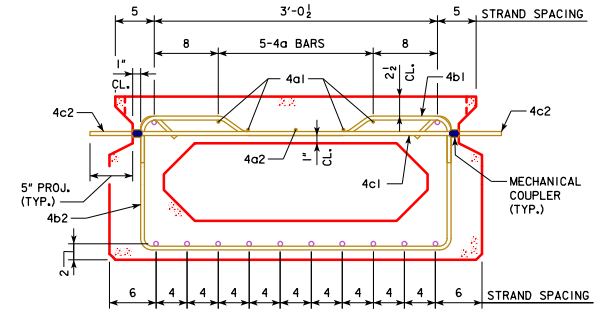
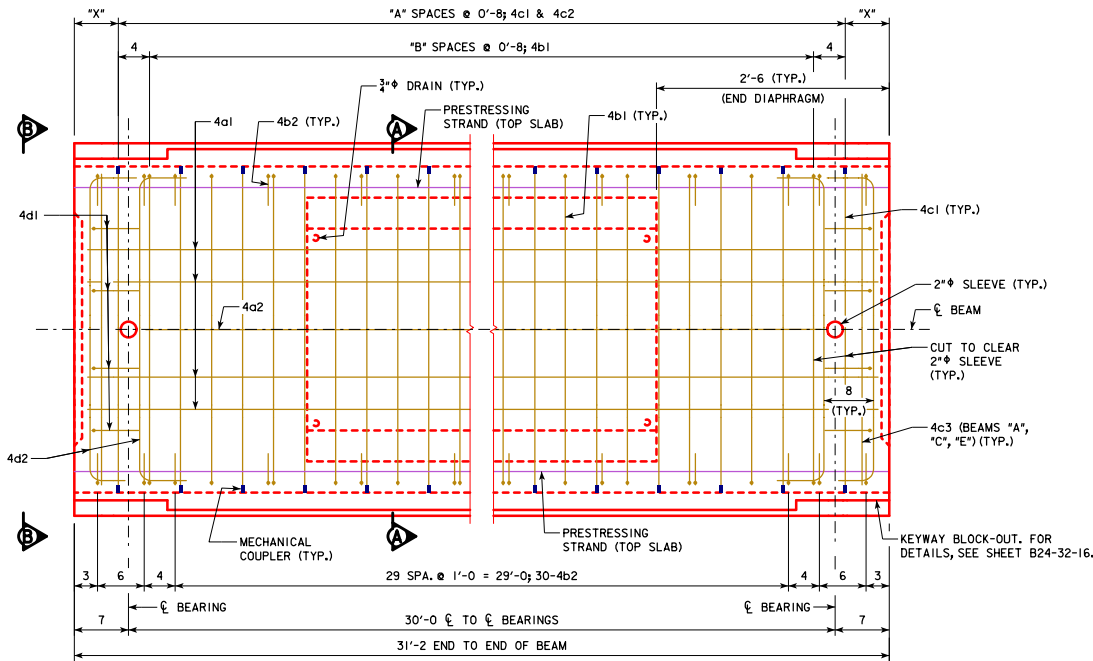


**ELEVATION**  
(KEYWAY NOT SHOWN FOR CLARITY)



**SECTION A-A**

NOTE:  
OMIT KEYWAY, MECHANICAL COUPLERS, AND 4c2 BARS ON EXTERIOR FACE OF EXTERIOR BEAMS.



**PLAN**  
(INTERIOR BEAM SHOWN, EXTERIOR BEAM SIMILAR)  
(PRESTRESSING STRANDS IN BOTTOM SLAB AND 4c2 BARS NOT SHOWN FOR CLARITY)

TABLE OF DIMENSION DATA			
BEAM LINE	"X" (INCHES)	"A" (SPACES)	"B" (SPACES)
A	7	45	44
B	3	46	45
C	7	45	44
D	3	46	45
E	7	45	44
F	3	46	45

NOTE:  
FOR BEAM LINE DESIGNATIONS, SEE SHEET B24-06-16.

NOTES:  
FOR VIEW B-B, SEE SHEET B24-34-16.  
FOR BEAM CHAMFER DETAILS, SEE SHEET B24-33-16.

LATEST REVISION DATE	 APPROVED BY BRIDGE ENGINEER	 STANDARD DESIGN - 24'-0 ROADWAY, SINGLE SPAN <b>CONCRETE BOX BEAM BRIDGES</b>	DECEMBER, 2016  <b>21" x 48" x 30'-0 PPCBB DETAILS</b> 0° SKEW	<b>B24-35-16</b>