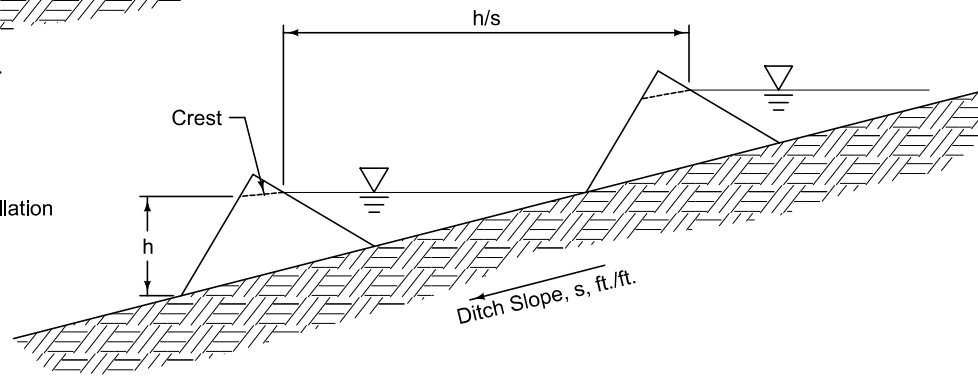
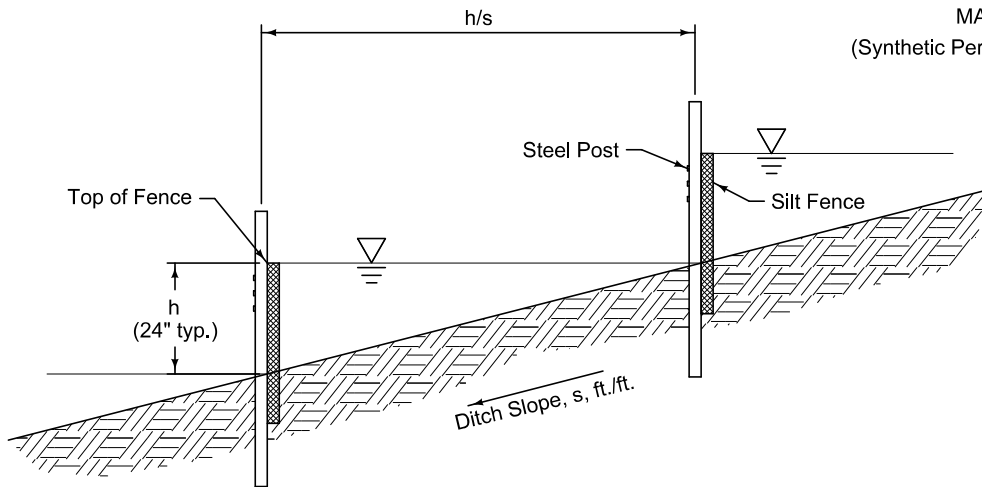


ROCK CHECK DAM
 (See Figure 9040.107 for installation
 of Rock Check Dams.)



MANUFACTURED CHECK DAM
 (Synthetic Permeable and Triangular Foam Check Dam)



SILT FENCE CHECK DAM (DITCH CHECK)
 (See Figure 9040.119 for installation
 of Silt Fence Ditch Checks.)

FIGURE 9040.106 SHEET 1 OF 1

	REVISION	
	2	10-21-14
	9040.106	
SHEET 1 of 1		

SUDAS Standard Specifications

CHECK DAM SPACING