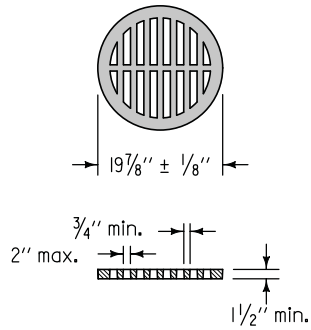
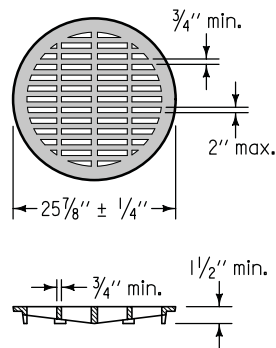


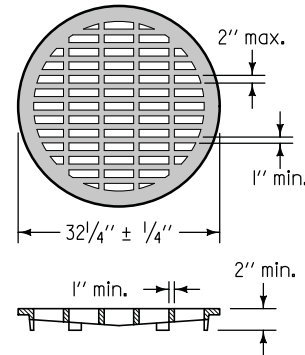
TYPE 4



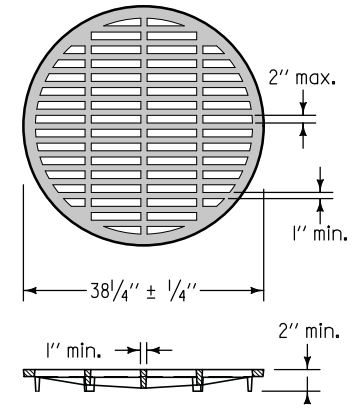
TYPE 4A
For Placement on 18" RCP



TYPE 4B
For Placement on 24" RCP

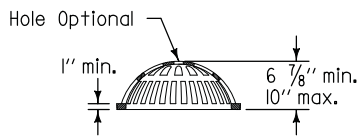
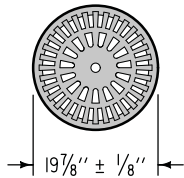


TYPE 4C
For Placement on 30" RCP

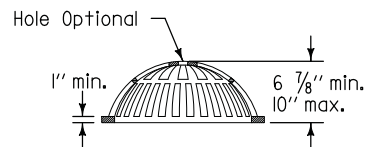
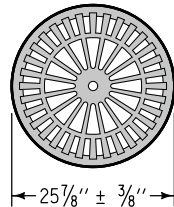


TYPE 4D
For Placement on 36" RCP

TYPE 3
(Light Duty)



TYPE 3A
For Placement on 18" RCP



TYPE 3B
For Placement on 24" RCP

TYPE 5
(Light Duty)
For Placement on 24" to 30" RCP

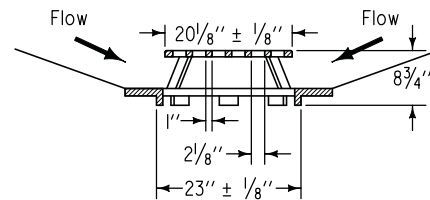
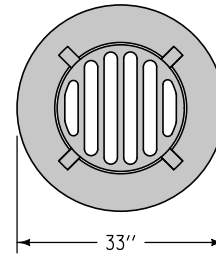
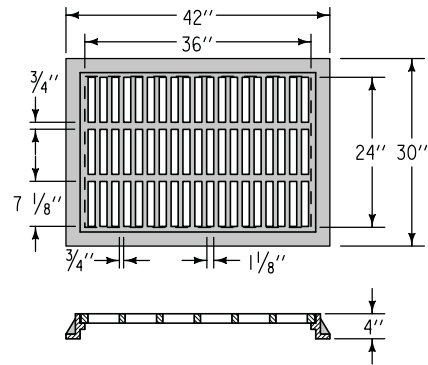


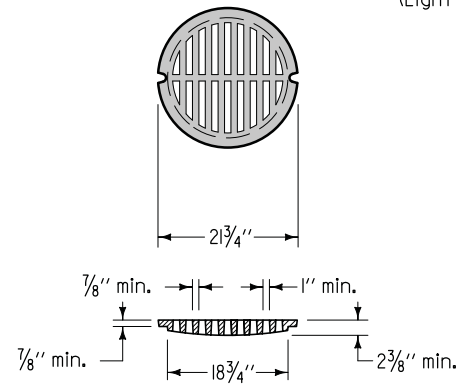
FIGURE 6010.604 SHEET 1 OF 2

| | | |
|--|--|-------------------------------|
| | | REVISION |
| | | 1 10-20-09 |
| FIGURE 6010.604 STANDARD ROAD PLAN | | SW-604 SHEET 1 of 2 |
| REVISIONS: Added Type 9 Grate to sheet 2. Added shading. | | |
| | | |
| SUDAS DIRECTOR | | DESIGN METHODS ENGINEER |
| CASTINGS FOR AREA INTAKES | | |

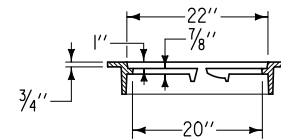
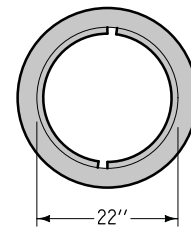
TYPE 6



TYPE 9
(Light Duty)



GRATE ①
Minimum Weight = 85 lbs.



FRAME
Minimum Weight = 75 lbs.

① Cast grate without locking lugs so it may be used in an inverted position.

| | | |
|--|---|---------------|
| SUDAS | Iowa Department of Transportation | REVISION |
| | | 1 10-20-09 |
| FIGURE 6010.604 STANDARD ROAD PLAN | | SW-604 |
| | | SHEET 2 of 2 |
| REVISIONS: Added Type 9 Grate to sheet 2. Added shading. | | |
| SUDAS DIRECTOR | Deanna Mailfield DESIGN METHODS ENGINEER | |
| CASTINGS FOR AREA INTAKES | | |