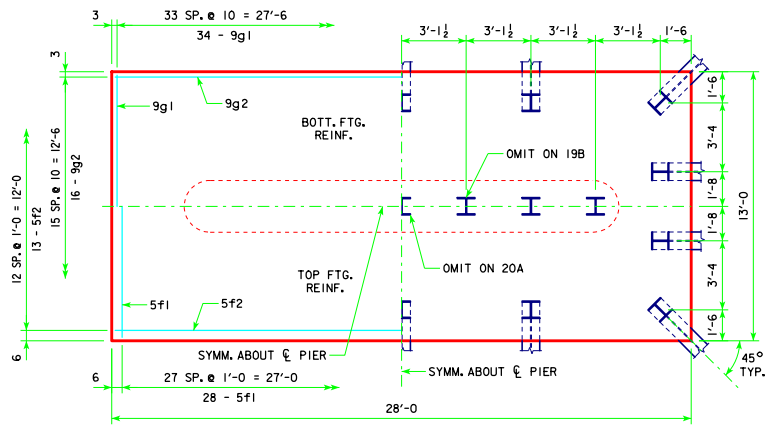
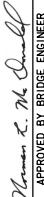



4'-0 x 12'-0 x 28'-0 FOR 16B, 17A, 18A & 19A



4'-0 x 13'-0 x 28'-0 FOR 19B & 20A

NOTE:
SEE SHEET RS40-141-14 FOR FOOTING NOTES.

LATEST REVISION DATE	 APPROVED BY BRIDGE ENGINEER	
		STANDARD DESIGN - 40' ROADWAY, 3 SPAN BRIDGES ROLLED STEEL BEAM BRIDGES OCTOBER, 2014
TEE PIER-HPI0x57 SRL-2 STEEL PILE FOOTINGS <small>20° SKEW - SHEET 3</small>		RS40-143-14