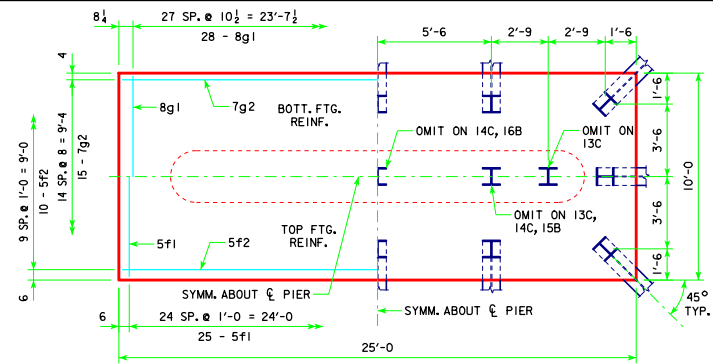
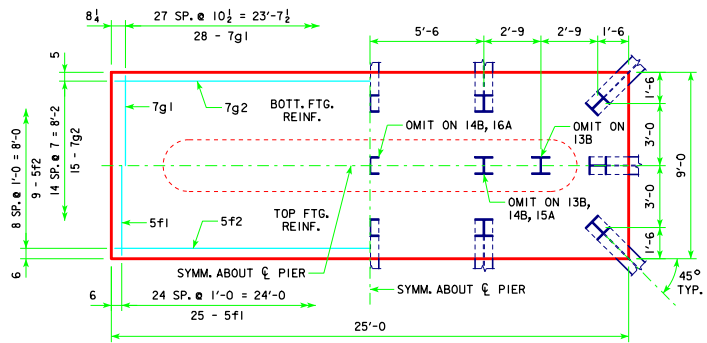


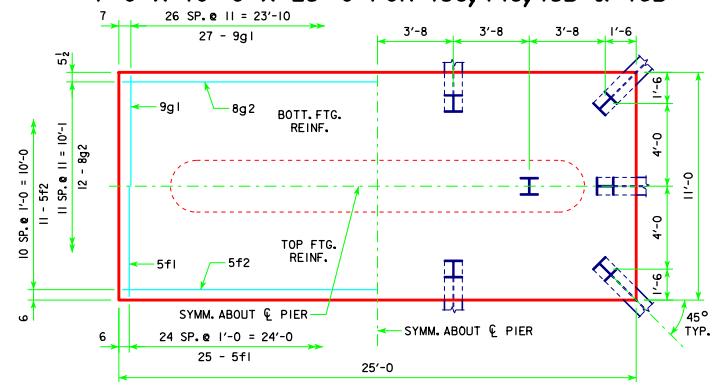
4'-0 x 9'-0 x 25'-0 FOR 10B, 11B & 12B



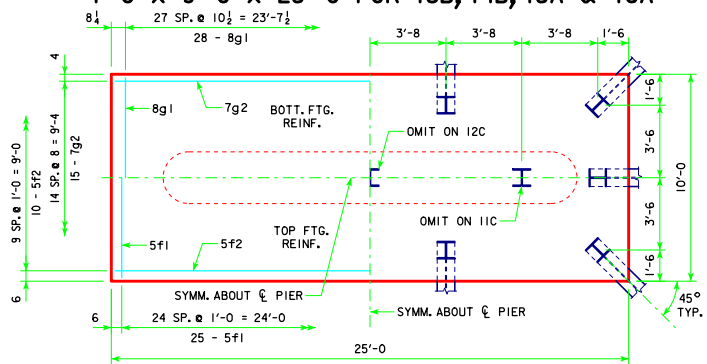
4'-0 x 10'-0 x 25'-0 FOR 13C, 14C, 15B & 16B



4'-0 x 9'-0 x 25'-0 FOR 13B, 14B, 15A & 16A



4'-0 x 11'-0 x 25'-0 FOR 12D



4'-0 x 10'-0 x 25'-0 FOR 11C & 12C

NOTE:
SEE SHEET RS40-131-14 FOR FOOTING NOTES.

LATEST REVISION DATE	 APPROVED BY BRIDGE ENGINEER	 STANDARD DESIGN - 40' ROADWAY, 3 SPAN BRIDGES ROLLED STEEL BEAM BRIDGES OCTOBER, 2014	RS40-132-14