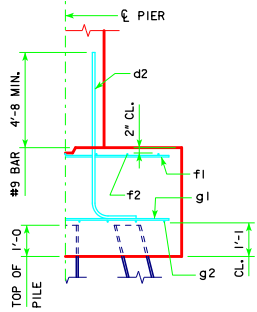
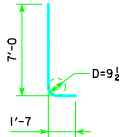


REVISED 05-13 - REVISION FOR LRFD PILE DESIGN.



**TYPICAL SECTION**

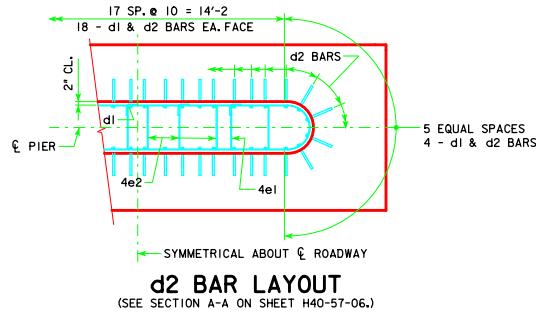


**d2**

NOTE: D = PIN DIAMETER. DIMENSIONS ARE OUT TO OUT.

| H<br>IN<br>FT. | CL - CL<br>ABUT.<br>BRG. | PILING (HP10x57) |  | FOOTING SIZE |                 |
|----------------|--------------------------|------------------|--|--------------|-----------------|
|                |                          | NO. &<br>LAYOUT  | ① LRFD PU,<br>STRENGTH I<br>DES. LOAD (KIPS) |              |                 |
| 18<br>TO<br>19 |                          | 201'-4           | 19A  | 145          | 3'-6 x 9' x 23' |
|                |                          | 213'-10          | 20A  | 141          |                 |
|                |                          | 226'-4           | 21A  | 144          |                 |
|                |                          | 243'-0           | 22A  | 144          |                 |
| 19<br>TO<br>21 |                          | 201'-4           | 20A  | 139          | 3'-6 x 9' x 23' |
|                |                          | 213'-10          | 20A  | 144          |                 |
|                |                          | 226'-4           | 21A  | 146          |                 |
|                |                          | 243'-0           | 23A  | 143          |                 |
| 22<br>TO<br>24 |                          | 201'-4           | 20A  | 141          | 3'-6 x 9' x 23' |
|                |                          | 213'-10          | 20A  | 146          |                 |
|                |                          | 226'-4           | 22A  | 143          |                 |
|                |                          | 243'-0           | 23A  | 145          |                 |

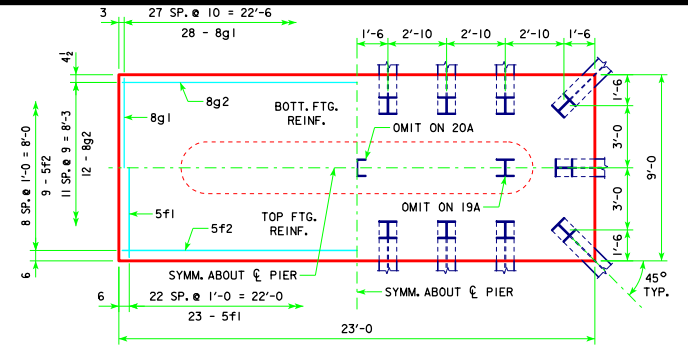
| FOOTING SIZE    | REINFORCING STEEL (ONE FOOTING) |                     |        |              | TOTAL<br>WEIGHT<br>(LB.) | STRUCTURAL<br>CONCRETE<br>(CY) |
|-----------------|---------------------------------|---------------------|--------|--------------|--------------------------|--------------------------------|
|                 | BAR                             | NO., SIZE & SPACING | LENGTH | WEIGHT (LB.) |                          |                                |
| 3'-6 x 9' x 23' | d2                              | 44 - #9 AS SHOWN    | 8'-7   | 1284         | 3079                     | 26.8                           |
|                 | f1                              | 23 - #5 @ 1'-0      | 8'-8   | 208          |                          |                                |
|                 | f2                              | 9 - #5 @ 1'-0       | 22'-8  | 213          |                          |                                |
|                 | g1                              | 28 - #8 @ 0'-10     | 8'-8   | 648          |                          |                                |
|                 | g2                              | 12 - #8 @ 0'-9      | 22'-8  | 726          |                          |                                |
|                 |                                 |                     |        |              |                          |                                |



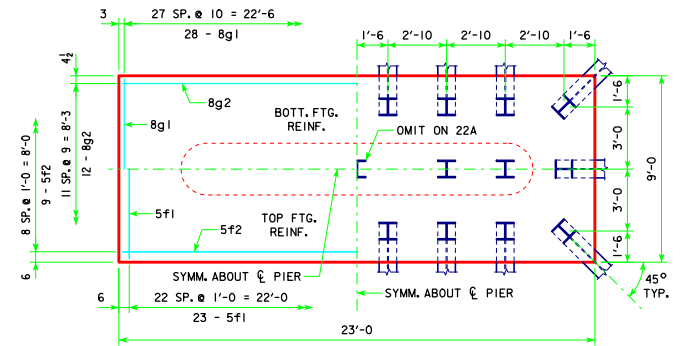
**d2 BAR LAYOUT**

(SEE SECTION A-A ON SHEET H40-57-06.)

① NOTE: PU, STRENGTH I DESIGN LOAD (KIPS) IS NOT THE VALUE USED IN THE FIELD FOR DRIVING PILES.



**3'-6 x 9'-0 x 23'-0 FOR 19A, 20A & 21A**



**3'-6 x 9'-0 x 23'-0 FOR 22A & 23A**

|                               |                                 |   |                  |
|-------------------------------|---------------------------------|---|------------------|
| LATEST REVISION DATE<br>05-13 | <br>APPROVED BY BRIDGE ENGINEER | <br>STANDARD DESIGN - 40' ROADWAY, THREE SPAN BRIDGE<br><b>PRETENSIONED PRESTRESSED<br/>CONCRETE BEAM BRIDGES</b><br>AUGUST, 2009 |                  |
|                               |                                 | <b>TEE PIER-HP10x57 SRL-1<br/>STEEL PILE FOOTINGS</b>   | <b>H40-59-06</b> |
|                               |                                 | 0° SKEW - H=16' TO 24'  |                  |