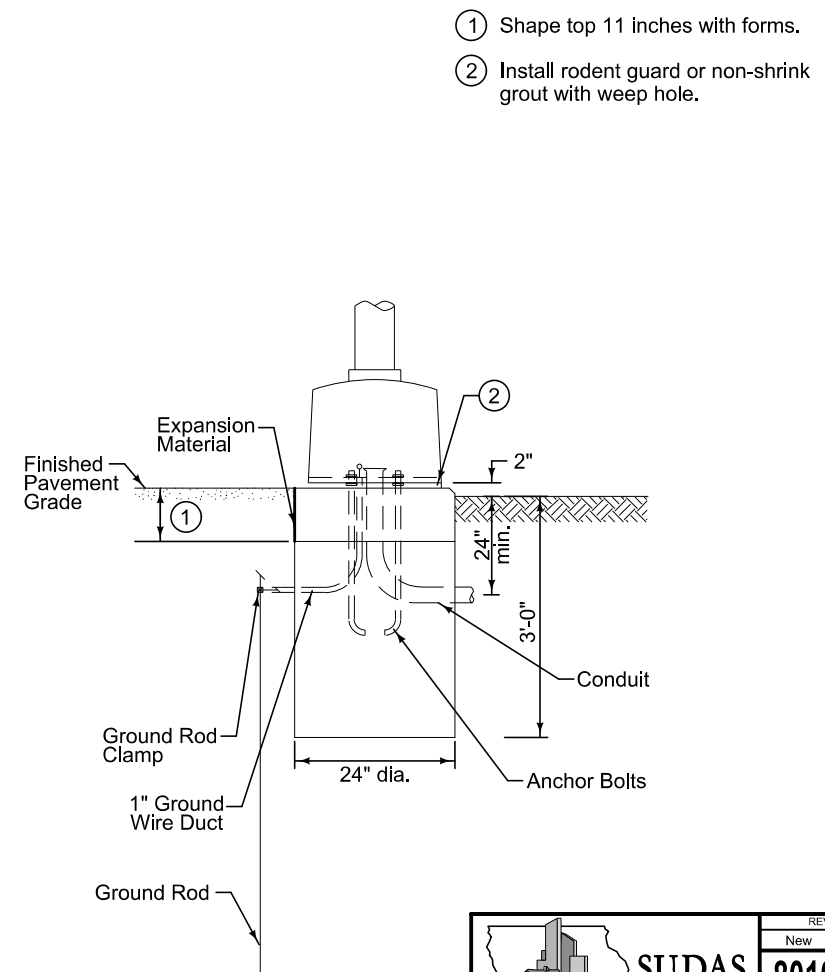


FIGURE 8010.102 SHEET 1 OF 1

MAST ARM POLE FOOTING

| TYPE | D | W | "V" Bars | | S | T |
|------|--------|-------|----------|------|----|-----|
| | | | Count | Size | | |
| A | 11'-0" | 3'-0" | 12 | 8 | 8 | 12" |
| B | 13'-0" | 3'-0" | 12 | 8 | 10 | 12" |
| C | 15'-0" | 3'-0" | 12 | 8 | 10 | 12" |
| D | 16'-0" | 3'-0" | 12 | 8 | 10 | 8" |
| E | 15'-0" | 3'-6" | 12 | 10 | 10 | 8" |
| F | 16'-0" | 3'-6" | 12 | 10 | 10 | 8" |

Provide footing type as specified in the contract documents.



PEDESTAL POLE FOOTING

- ① Shape top 11 inches with forms.
- ② Install rodent guard or non-shrink grout with weep hole.

| | |
|--------------|-----------------|
| | REVISION |
| | New 10-16-12 |
| | 8010.102 |
| SHEET 1 of 1 | |

SUDAS Standard Specifications

POLE FOOTING
DETAILS