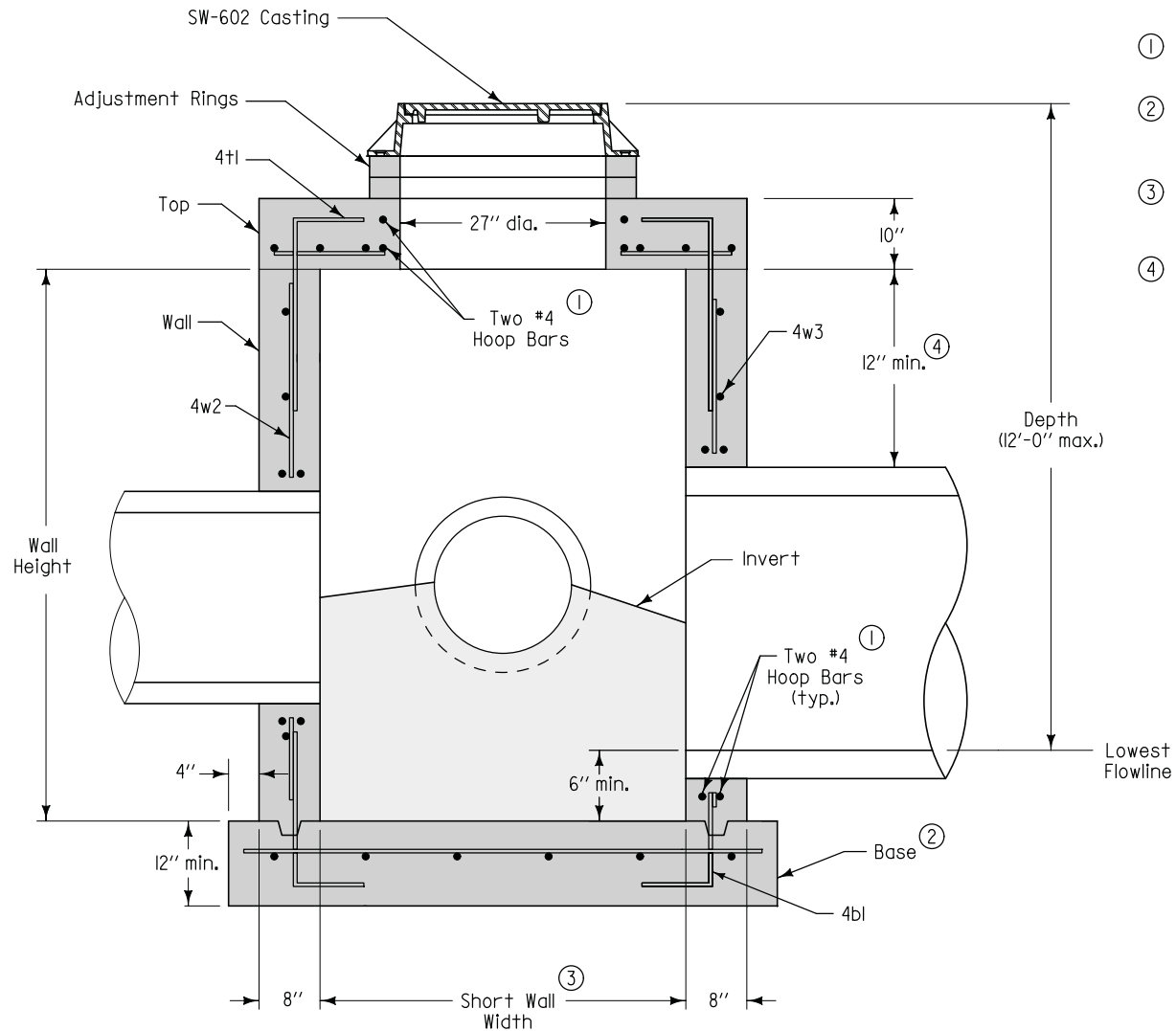


Adjacent walls may have different widths based upon pipe configuration, but structure must be rectangular.

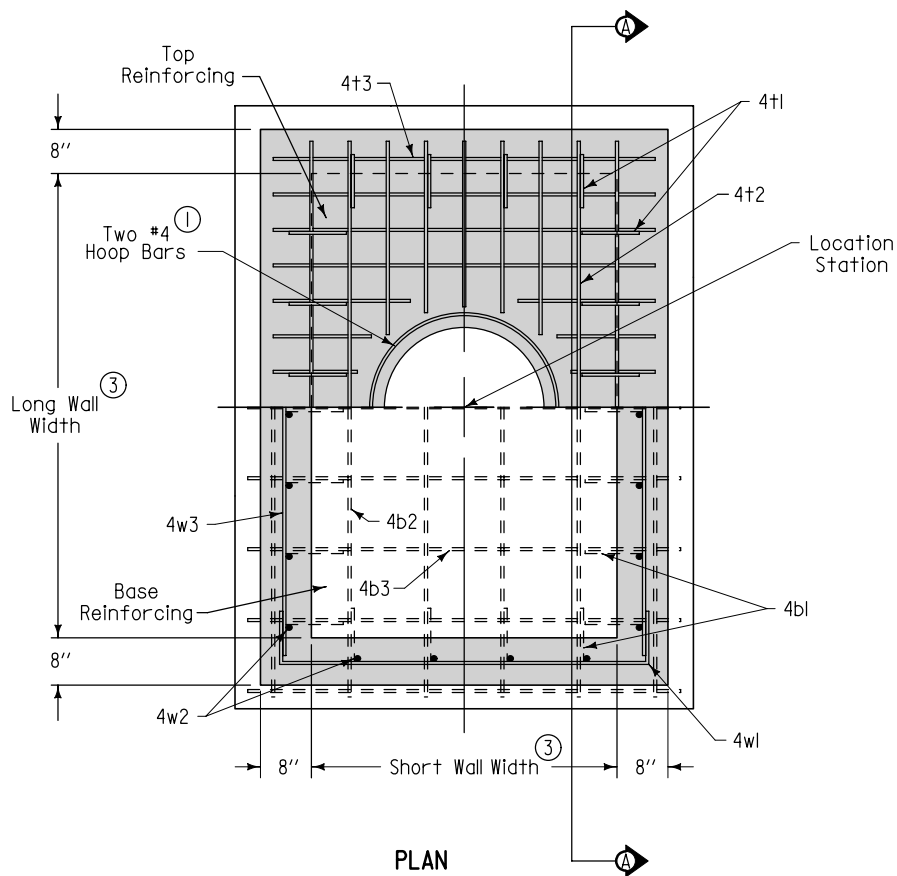


TYPICAL SECTION

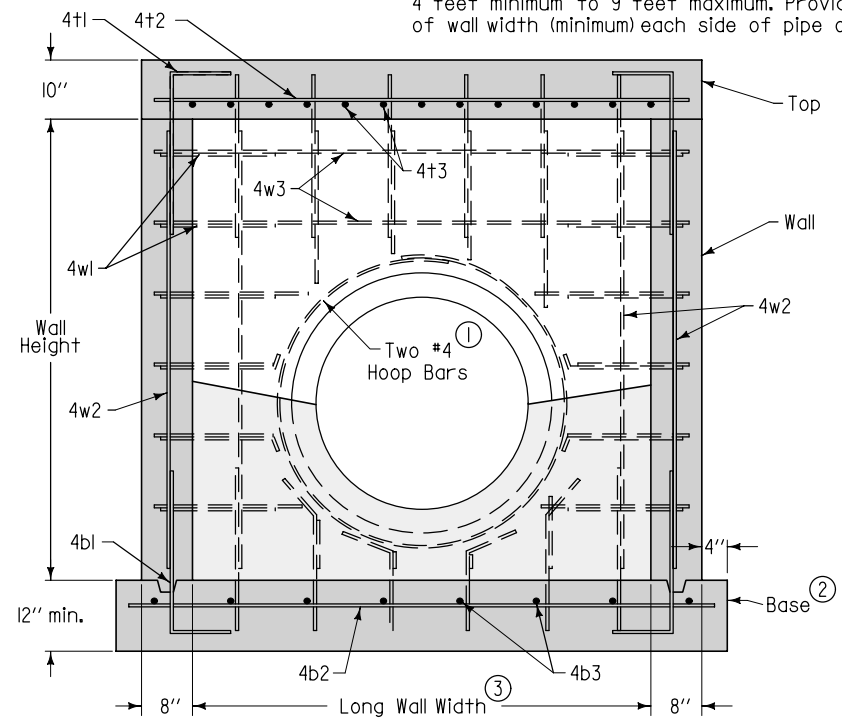
- ① Provide two #4 hoop bars at top opening and at all pipe openings.
- ② Cast-in-place base shown. If base is precast integral with walls, the footprint of the base is not required to extend beyond the outer edge of the walls.
- ③ Wall widths vary with pipe diameter and range from 4 feet minimum to 9 feet maximum. Provide 12 inches of wall width (minimum) each side of pipe opening.
- ④ 12 inch minimum wall height above all pipes.

FIGURE 6010.403 SHEET 1 OF 2

SUDAS	Iowa Department of Transportation	REVISION
		NEW 04-21-09
FIGURE 6010.403	STANDARD ROAD PLAN	SW-403
		SHEET 1 of 2
REVISIONS: New. Replaces SUDAS Type "M-C" Manhole.		
SUDAS DIRECTOR		DESIGN METHODS ENGINEER
DEEP WELL RECTANGULAR STORM SEWER MANHOLE		



- ① Provide two #4 hoop bars at top opening and at all pipe openings.
- ② Cast-in-place base shown. If base is precast integral with walls, the footprint of the base is not required to extend beyond the outer edge of walls.
- ③ Wall widths vary with pipe diameter and range from 4 feet minimum to 9 feet maximum. Provide 12 inches of wall width (minimum) each side of pipe opening.



PLAN

SECTION A-A

REINFORCING BAR LIST

Mark	Size	Location	Shape	Length	Spacing
4t1	4	Top	└	36"	12"
4t2	4	Top	—	Long Wall plus 12"	6"
4t3	4	Top	—	Short Wall plus 12"	6"
4b1	4	Base	└	36"	12"
4b2	4	Base	—	Long Wall plus 18"	12"
4b3	4	Base	—	Short Wall plus 18"	12"
4w1	4	Walls	┌	Short Wall plus 48"	12"
4w2	4	Walls	—	Wall Height minus 4"	12"
4w3	4	Walls	—	Long Wall plus 12"	12"

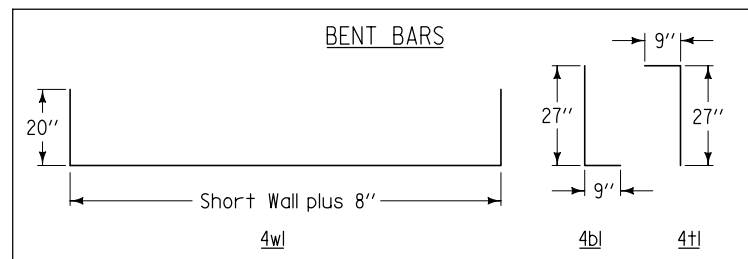


FIGURE 6010.403 SHEET 2 OF 2

SUDAS	Iowa Department of Transportation	REVISION
		NEW 04-21-09
FIGURE 6010.403	STANDARD ROAD PLAN	SW-403
		SHEET 2 of 2
REVISIONS: New. Replaces SUDAS Type "M-C" Manhole.		
SUDAS DIRECTOR		DESIGN METHODS ENGINEER
DEEP WELL RECTANGULAR STORM SEWER MANHOLE		