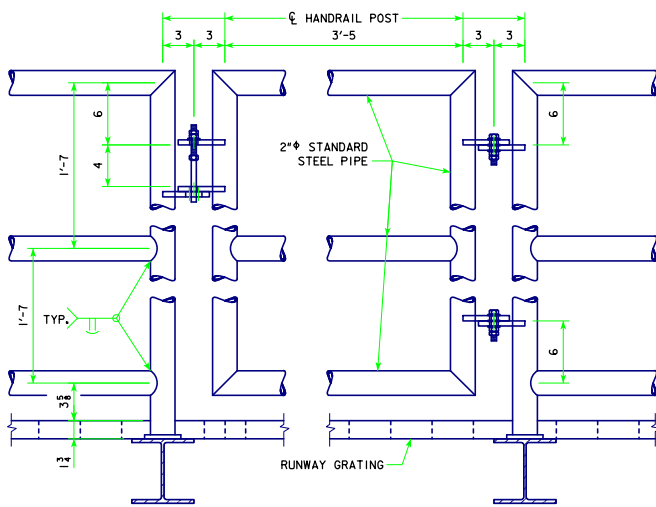
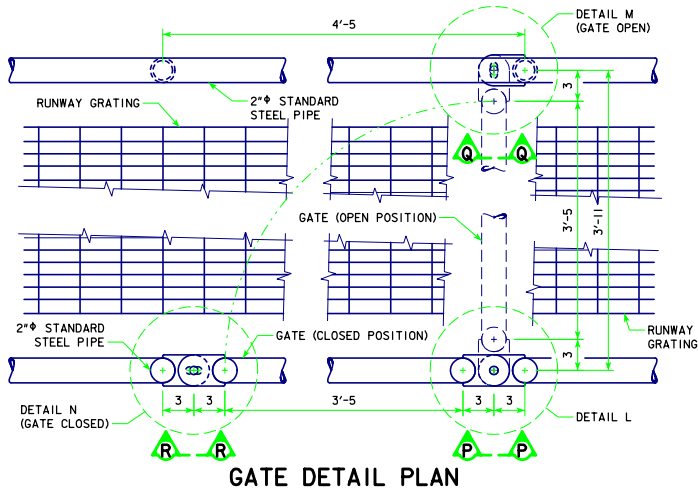
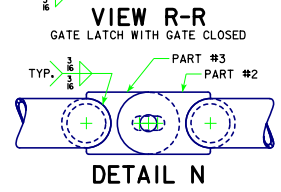
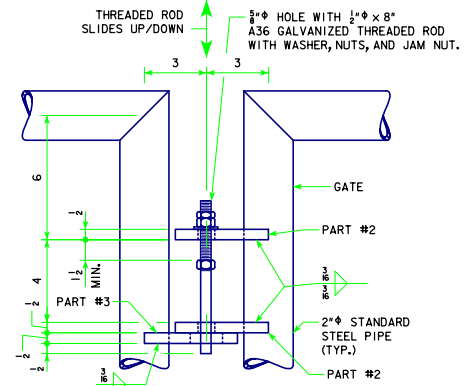
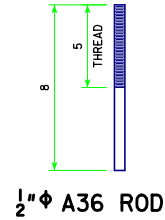
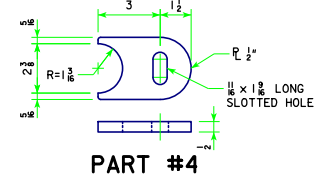
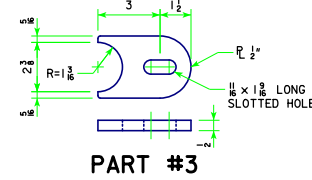
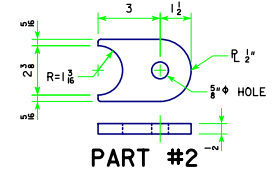
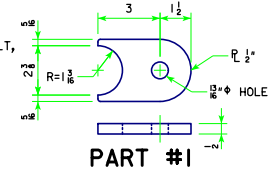
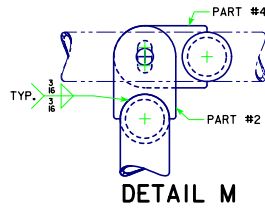
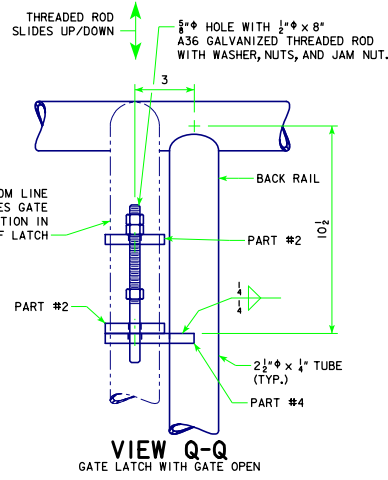
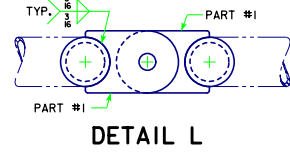
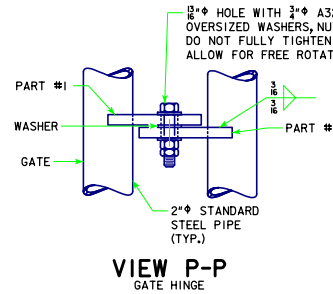


REVISION: 06-13 - CHANGED GATE LATCH DETAIL - CHANGED LABELS FOR VIEWS AND DETAILS.  
 STEELOVERHEADSIGNTRUSS.DGN - SOST-14-11 - THIS SHEET ISSUED 03-13



**GATE DETAIL ELEVATION**  
GATE LOCATED OVER SHOULDER OF ROADWAY



06-13 LATEST REVISION DATE  <i>Thomas E. McQuinn</i> APPROVED BY BRIDGE ENGINEER		
	STANDARD DESIGN <b>STEEL OVERHEAD SIGN TRUSS</b> SEPTEMBER, 2011	
	<b>DMS RUNWAY GATE DETAILS</b>	<b>SOST-14-11</b>

50'-130' SPANS