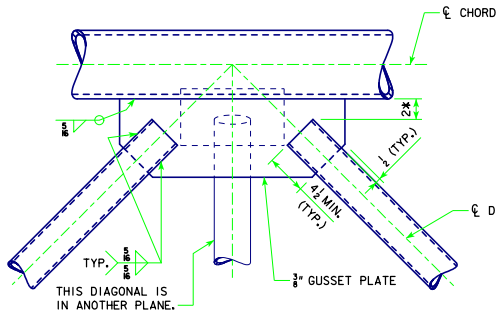
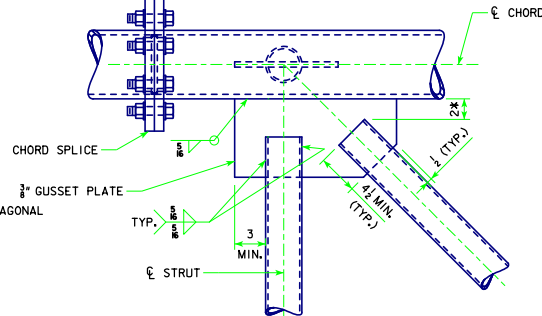


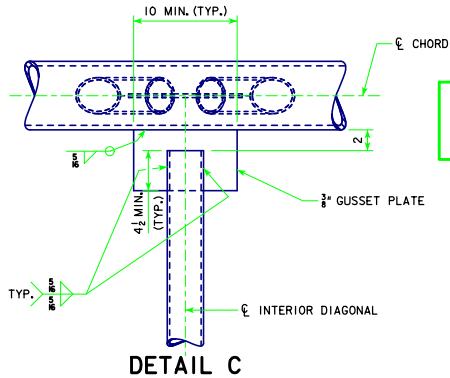
REVISION 09-14 - MODIFIED GUSSET PLATE CONNECTION DETAILS.
 SEE COVER SHEET FOR REVISIONS TO SOST-08-11. THIS SHEET ISSUED 09-11.



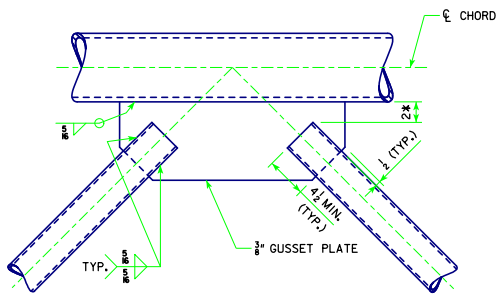
DETAIL A



DETAIL B

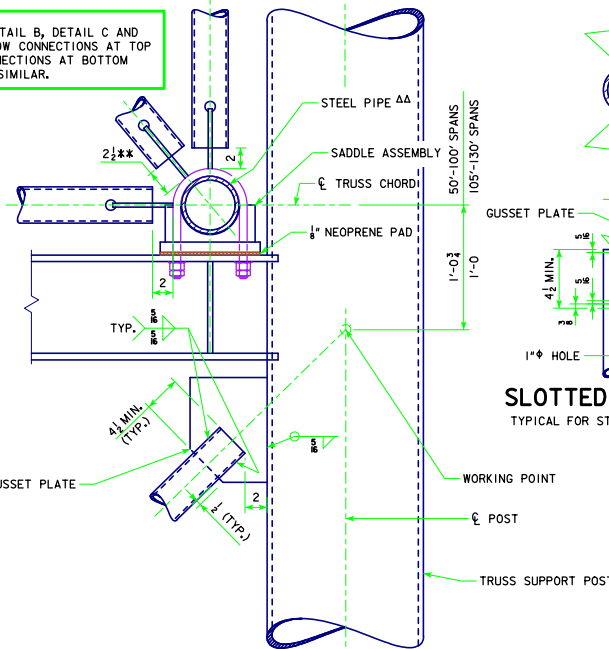


DETAIL C

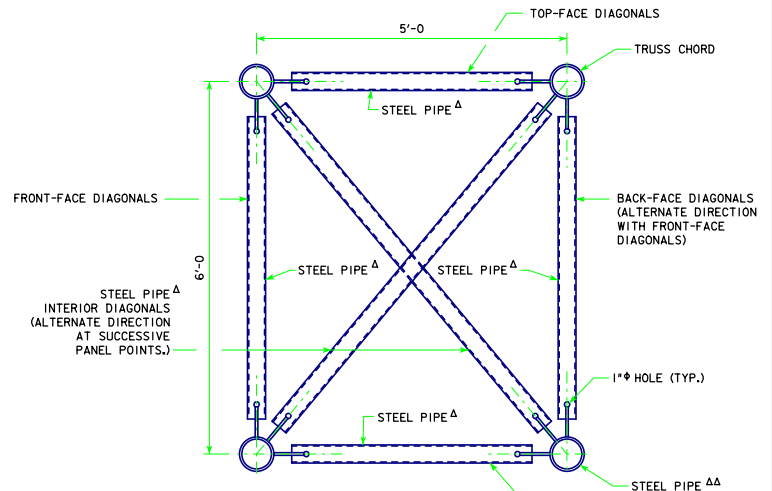


DETAIL D

DETAIL A, DETAIL B, DETAIL C AND
 DETAIL D SHOW CONNECTIONS AT TOP
 CHORDS. CONNECTIONS AT BOTTOM
 CHORDS ARE SIMILAR.



DETAIL E



SECTION A-A

TRUSS PIPE DETAILS		
SPAN	Δ TRUSS DIAGONALS	ΔΔ TRUSS CHORDS
50'-100'	3" φ STANDARD STEEL PIPE	5" φ EXTRA-STRONG STEEL PIPE
105'-130'	3" φ EXTRA-STRONG STEEL PIPE	6" φ EXTRA-STRONG STEEL PIPE



SLOTTED PIPE ENDS
TYPICAL FOR STRUTS AND DIAGONALS

NOTES: SEE STANDARD SHEETS SOST-02-11, SOST-03-11, SOST-04-11 AND SOST-05-11 FOR LOCATIONS OF SECTION A-A AND DETAILS A, B, C, AND D.
 NOTES: SEE STANDARD SHEETS SOST-06-11 AND SOST-07-11 FOR LOCATIONS OF DETAILS THAT ARE SIMILAR TO DETAILS B, C, AND D AND LOCATION OF DETAIL E.

09-14 LATEST REVISION DATE	APPROVED BY BRIDGE ENGINEER <i>Thomas E. McQuinn</i>	
	STANDARD DESIGN STEEL OVERHEAD SIGN TRUSS SEPTEMBER, 2011	
	GUSSET PLATE CONNECTIONS 50'-130' SPANS	

* THIS DIMENSION MAY BE REDUCED BY 3/8" TO ALLOW FOR THE USE OF 8"-WIDE BAR STOCK TO FABRICATE GUSSET PLATES.
 ** USE 2 1/2" ONLY FOR INTERIOR DIAGONALS AT END OF EACH TRUSS UNIT. USE 2" FOR OTHER INTERIOR-DIAGONAL-TO-CHORD CONNECTIONS (I.E., "DETAIL C") AND STRUT-TO-POST CONNECTIONS (I.E., "SIMILAR TO DETAIL C").