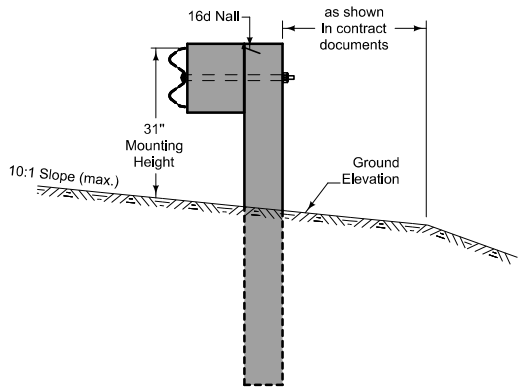
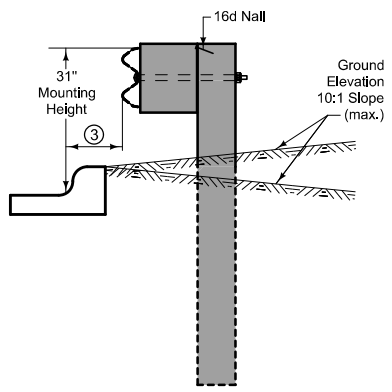


ELEVATION



SECTION

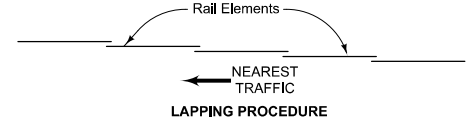


SECTION WITH CURB

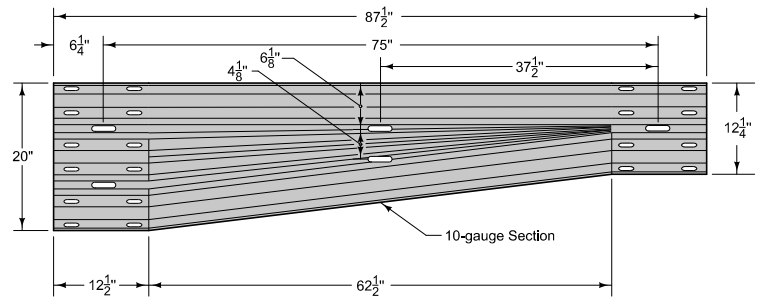
W-BEAM INSTALLATION

At Bridge End Drains, cut Scour Protection (Scourstop and TRM) or remove rock as required to place post(s) such that Bridge End Drains abut post(s).

- ① When specified by the contract documents, install posts at 3'-1 1/2" spacing.
- ② When posts are placed in solid material such as paved shoulder or rock, drill minimum 15 inch diameter holes for the depth of the material. Backfill holes with special backfill.
- ③ 6" maximum for 6" Standard or 6" Sloped curbs and for non-standard curbs.

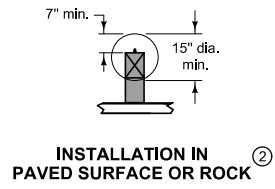


LAPPING PROCEDURE



ASYMMETRICAL TRANSITION SECTION

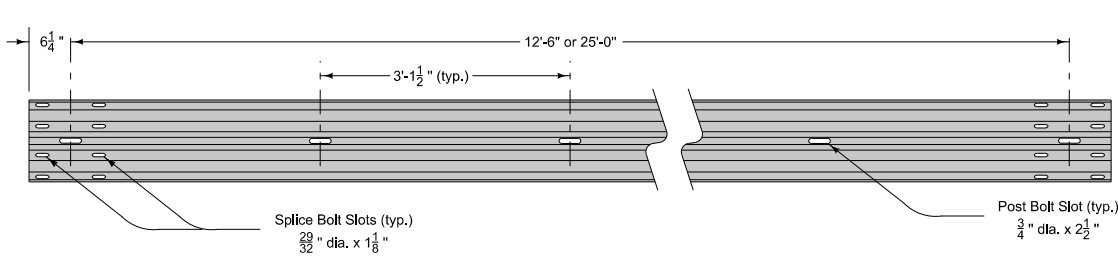
Possible Contract Item:
Steel Beam Guardrail



INSTALLATION IN PAVED SURFACE OR ROCK ②

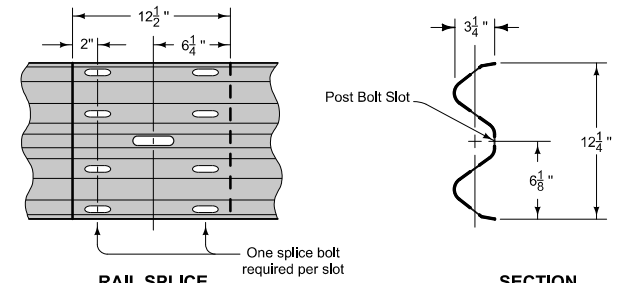
<p style="text-align: center; margin: 0;">Iowa Department of Transportation</p> <p style="text-align: center; font-weight: bold; font-size: 1.2em; margin: 0;">STANDARD ROAD PLAN</p> <p style="font-size: 0.8em; margin: 0;">REVISIONS: Added Installation In Paved Surface detail and circle note 2. Clarified height at curb face.</p> <p style="text-align: center; font-style: italic; margin: 0;">Deanna Maifield</p> <p style="text-align: center; font-size: 0.7em; margin: 0;">APPROVED BY DESIGN METHODS ENGINEER</p>	REVISION
	2 10-18-11
	BA-200
SHEET 1 of 2	

STEEL BEAM GUARDRAIL COMPONENTS



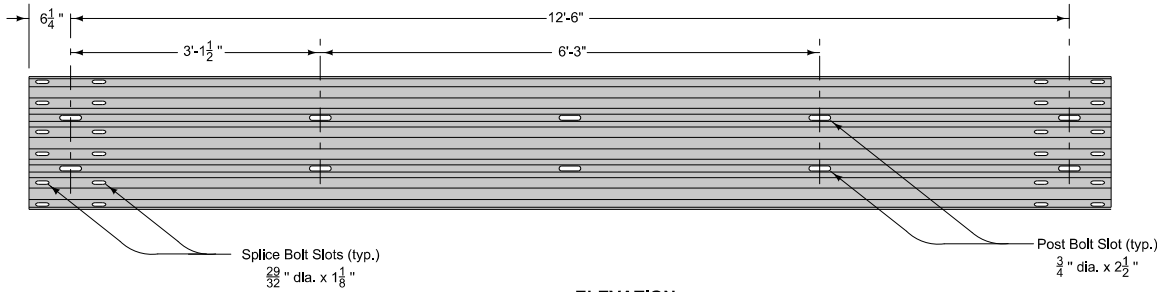
ELEVATION

W-BEAM RAIL



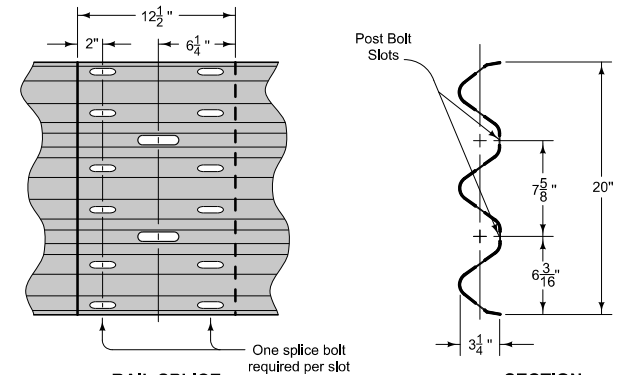
RAIL SPLICE

SECTION



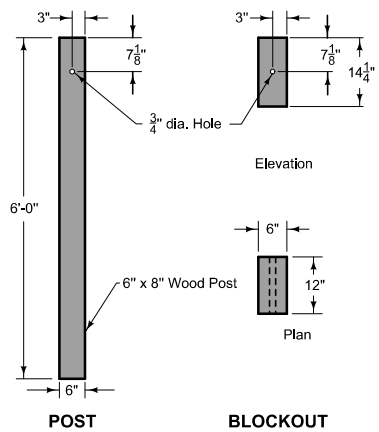
ELEVATION

THRIE-BEAM RAIL



RAIL SPLICE

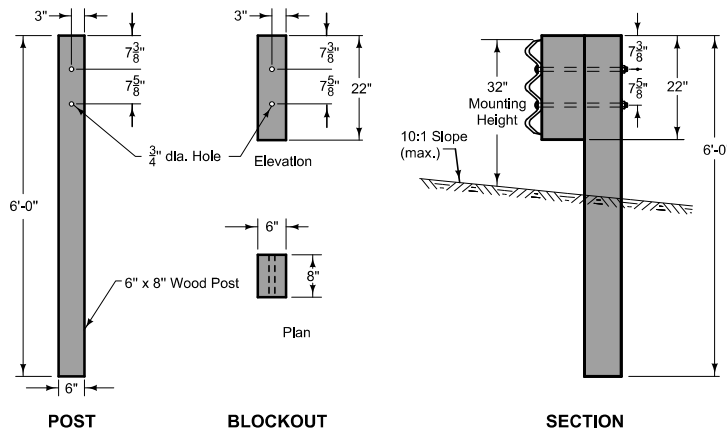
SECTION



POST

BLOCKOUT

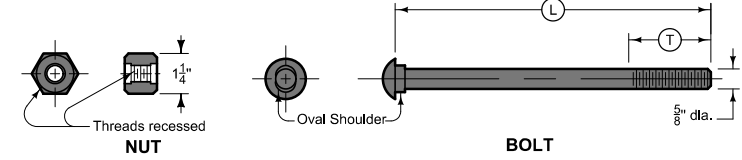
W-BEAM



POST

BLOCKOUT

THRIE-BEAM



HARDWARE

APPLICATION	T	L
Post Bolt for 8" Blockout	2 1/2"	18"
Post Bolt for 12" Blockout	2 1/2"	22"
Splice Bolt	1 1/16"	1 1/4"

T = Min. Thread Length

L = Bolt Length

Iowa Department of Transportation

STANDARD ROAD PLAN

REVISIONS: Added Installation In Paved Surface detail and circle note 2. Clarified height at curb face.

Deanna Maifield
APPROVED BY DESIGN METHODS ENGINEER

REVISION	2	10-18-11
BA-200		SHEET 2 of 2

STEEL BEAM GUARDRAIL COMPONENTS