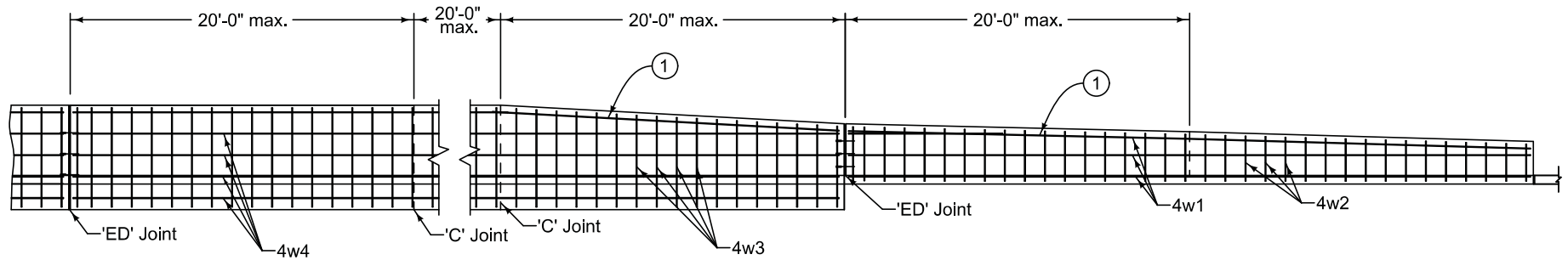


Provide a minimum concrete cover to near reinforcement of 1 1/2 inches. Provide 3 inches minimum cover at the ends of bars.

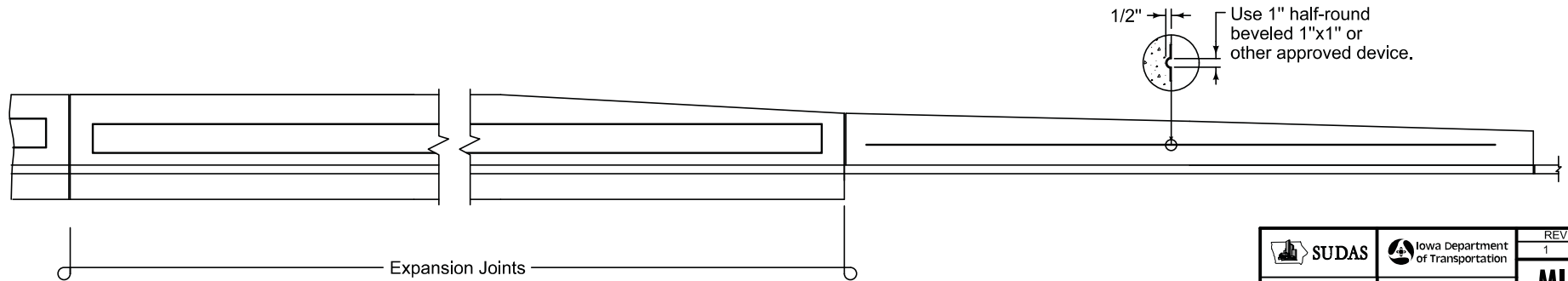
① Top bar parallel to top of wall. Lap 6 inch minimum as necessary. Tie securely.



TYPE B WALL

TYPE A WALL

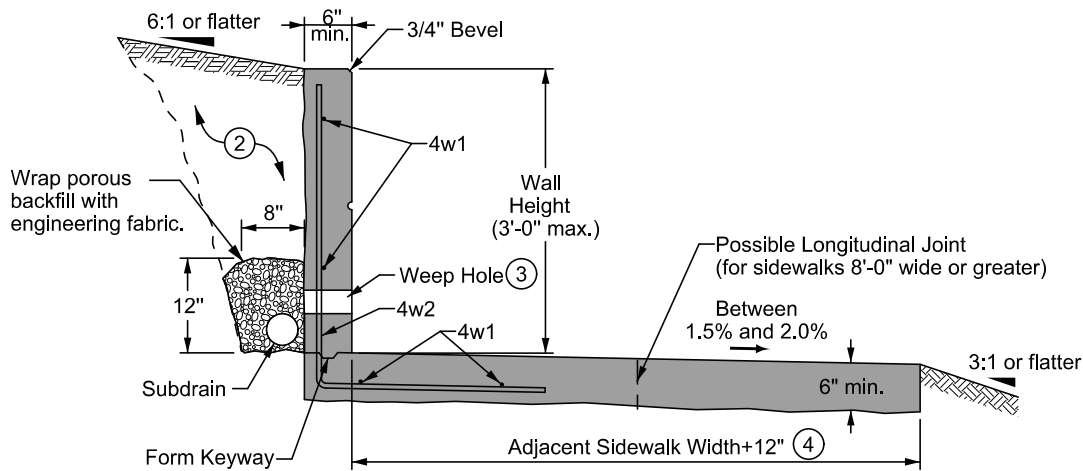
TYPICAL LONGITUDINAL SECTION OF RETAINING WALL



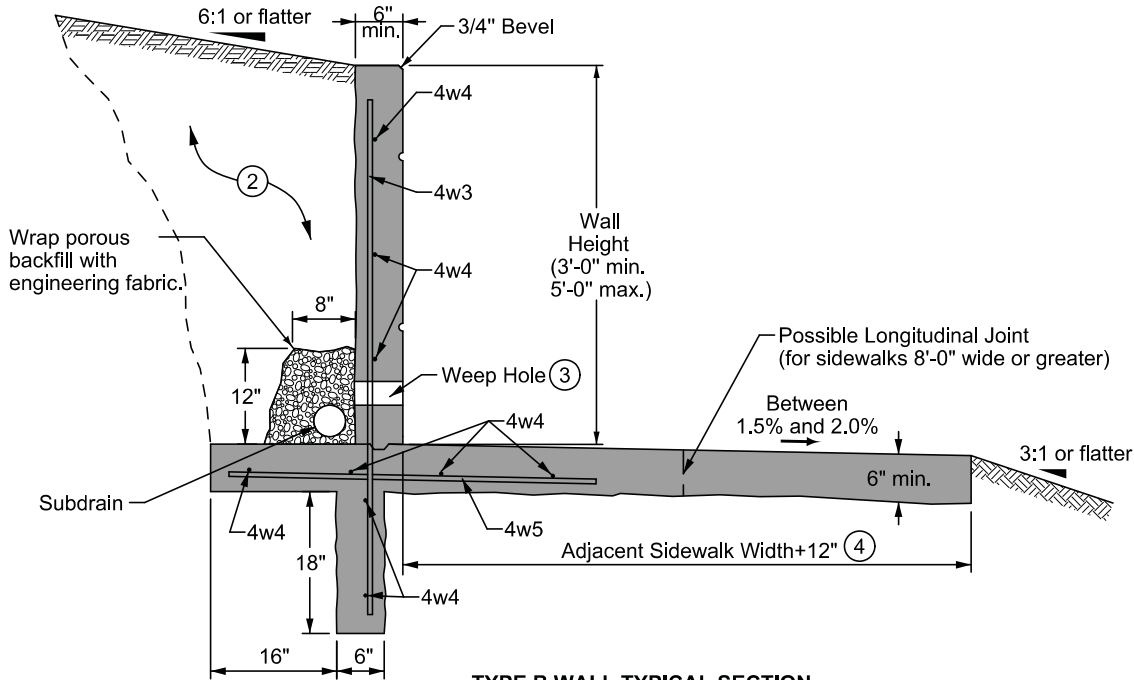
TYPICAL RUSTICATION DETAIL

FIGURE 9072.221 SHEET 1 OF 2

| | |
|--|--|
| SUDAS Iowa Department of Transportation | REVISION |
| | 1 04-17-12 |
| FIGURE 9072.221 STANDARD ROAD PLAN | MI-221 SHEET 1 OF 2 |
| <small>REVISIONS: Changed figure number to 9070.221. Added "or flatter" to clarify slope labels.</small> | |
| <i>Paul D. Weigand</i> <small>SUDAS DIRECTOR</small> | <i>Deanna Mayfield</i> <small>DESIGN METHODS ENGINEER</small> |
| COMBINED RETAINING WALL - SIDEWALK | |



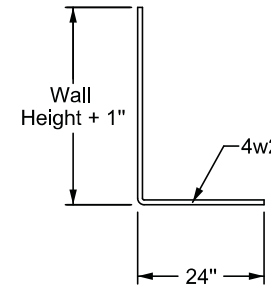
TYPE A WALL TYPICAL SECTION



TYPE B WALL TYPICAL SECTION

Provide a minimum concrete cover to near reinforcement of 1 1/2 inches. Provide 3 inches minimum cover at the ends of bars.

- ② Excavate and place backfill material as necessary.
- ③ Provide 3 inch diameter weep holes at 8 foot intervals. Install rodent guards in weep holes. Align bottom of weep hole with top of subdrain.
- ④ Additional 12 inch width is adjacent to wall.



BENT BARS

| REINFORCING BAR LIST | | | | | |
|----------------------|------|------|-------|-------------------|---------|
| Wall Type | Mark | Size | Shape | Length | Spacing |
| Type A | 4w1 | 4 | — | Variable | 15" |
| | 4w2 | 4 | L | Variable | 14" |
| Type B | 4w3 | 4 | — | Wall Height + 18" | 14" |
| | 4w4 | 4 | — | Variable | 15" |
| | 4w5 | 4 | — | 3'-10" | 14" |

| | |
|--|--------------------|
| SUDAS Iowa Department of Transportation | REVISION |
| | 1 04-17-12 |
| FIGURE 9072.221 | STANDARD ROAD PLAN |
| MI-221 SHEET 2 OF 2 | |
| <small>REVISIONS: Changed figure number to 9070.221. Added "or flatter" to clarify slope labels.</small> | |

Paul D. Weigand
SUDAS DIRECTOR
 Deanna Mayfield
DESIGN METHODS ENGINEER

**COMBINED RETAINING
WALL - SIDEWALK**