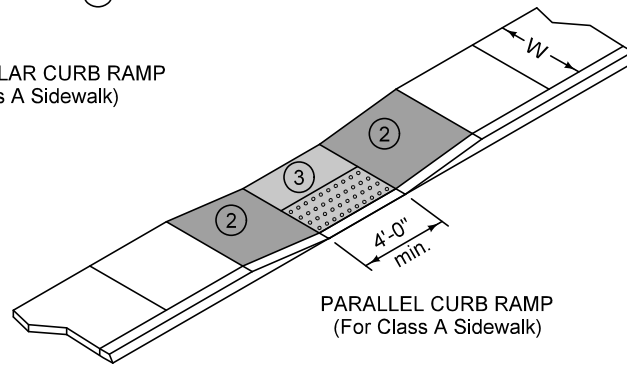
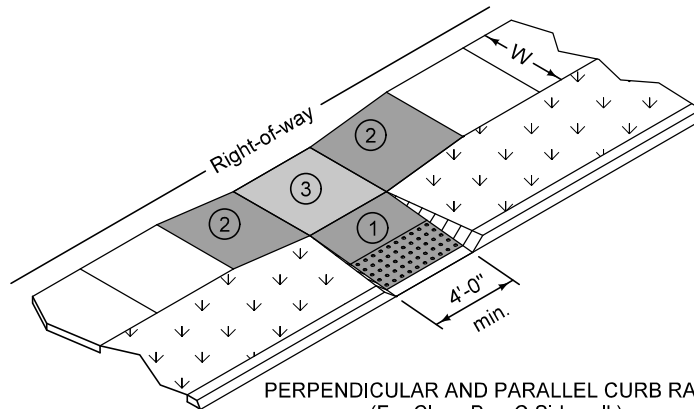


PERPENDICULAR CURB RAMP  
(For Class A Sidewalk)



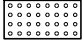


PARALLEL CURB RAMP  
(For Class A Sidewalk)



PERPENDICULAR AND PARALLEL CURB RAMP  
(For Class B or C Sidewalk)

Key

-  Curb Ramp
-  Turning Space
-  Detectable Warning

- ① Perpendicular Curb Ramp: Target running slope of 6.25% with maximum running slope of 8.3%. Match pedestrian street crossing cross slope at back of curb. At mid-block crossings, cross slope may exceed 2.0% to match roadway grade.
- ② Parallel Curb Ramp: Target cross slope of 1.5% with a maximum cross slope of 2.0%. The length of the parallel ramp is not required to exceed 15 feet, regardless of resulting slope. Do not exceed 8.3% slope for parallel ramps shorter than 15 feet.
- ③ Turning Space: Target slope of 1.5%, with a maximum slope perpendicular to the travel directions of 2.0%. At mid-block crossings, cross slope of landing may exceed 2.0% to match roadway grade. Minimum 4 feet by 4 feet.
- ④ Flare (10:1 max.) required if ramp is contiguous with sidewalk.

	REVISION
	New   10-16-12
	<b>7030.206</b>
SHEET 1 of 1	

SUDAS Standard Specifications

CURB RAMPS OUTSIDE OF  
INTERSECTION RADIUS