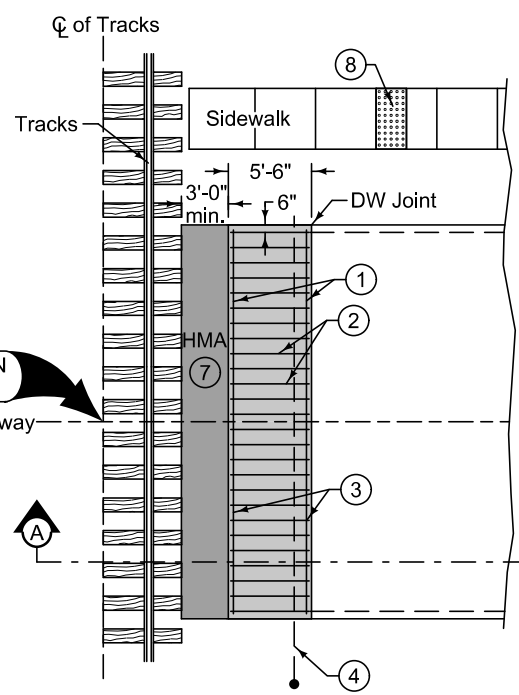
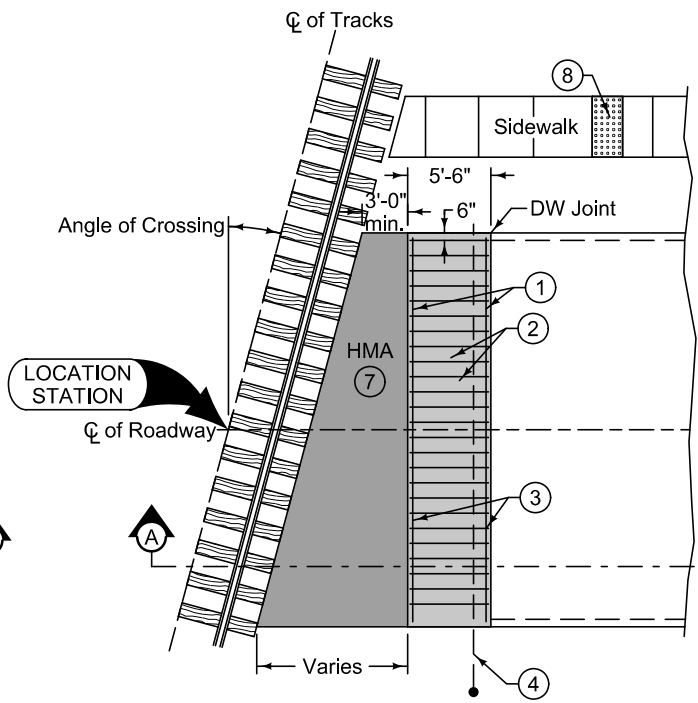


SECTION A-A

- ① Tie reinforcing bars with wire at all intersections with other bars. Lap reinforcing bars a minimum of 12 inches when necessary and tie securely.
- ② 5 foot 2 inch (typ.) #5 bar or pavement length minus 4 inches, at 12 inches on center.
- ③ #5 bars X (approach width minus 4 inches).
- ④ Install 6 inch perforated CMP subdrain, if specified. Include rodent guard per Iowa DOT Materials I.M. 443.01.
- ⑤ Granular subbase, modified subbase, or ballast meeting railroad specifications.
- ⑥ For new crossings, construct pavement 1/2 inch to 1 inch below top of rail. For existing crossings, construct pavement level to 1/2 inch below top of rail.
- ⑦ HMA full depth patch per Section 7040.
- ⑧ Refer to Figure 7030.210 for detectable warning location.




PLAN VIEW - STRAIGHT CROSSING



PLAN VIEW - SKEWED CROSSING

FIGURE 7010.903 SHEET 1 OF 1

	<small>REVISION</small> 1 10-16-12
	SUDAS 7010.903
	<small>SHEET 1 of 1</small>
SUDAS Standard Specifications	
PCC RAILROAD CROSSING APPROACH	