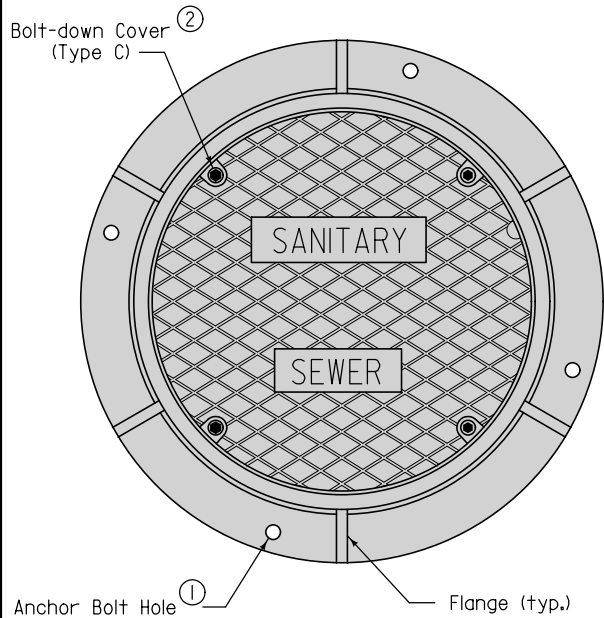


TYPE A

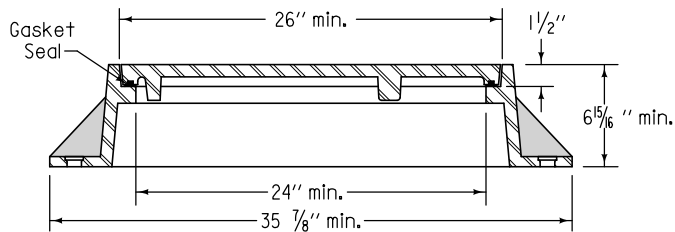
Two-piece fixed casting

TYPE C

Two-piece fixed casting with bolt-down cover^②



PLAN



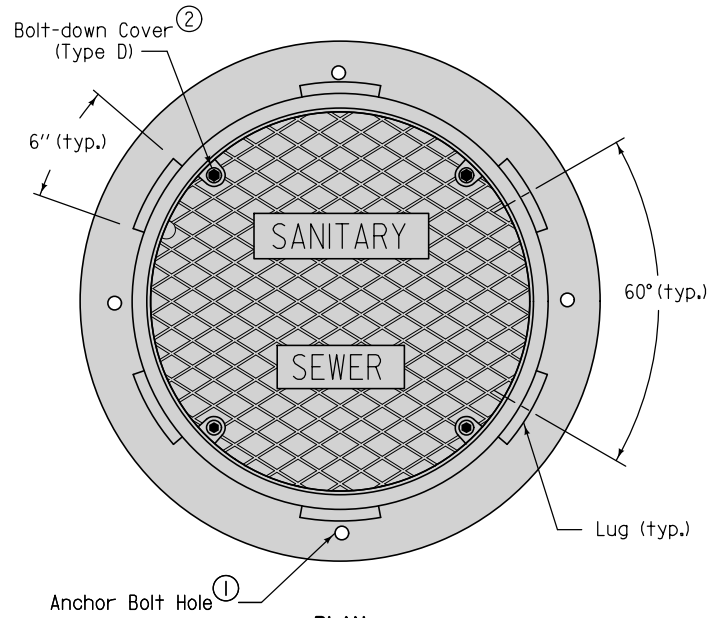
TYPICAL SECTION

TYPE B

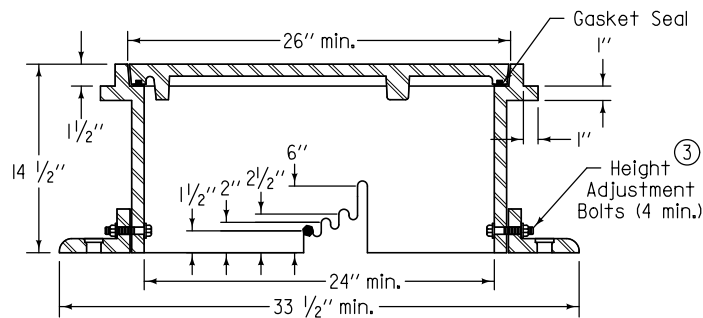
Three-piece floating casting

TYPE D

Three-piece floating casting with bolt-down cover^②



PLAN



TYPICAL SECTION

Frame Notes:
Size and spacing of lugs and flanges may vary.

Cover Notes:
Roughness pattern and text style may vary.
Minimum one concealed pickhole.

- ① When the contract documents require the frame to be attached to the structure, drill four 7/8" diameter holes or slots, equally spaced around frame.
- ② If specified, furnish bolt down frame and cover with four 1/2" x 2 1/2" stainless steel, hex head, recessed cap screws. Secure cover with screws, washers, and rubber gasket seals.
- ③ Remove bolts upon completion of paving.

FIGURE 6010.601 SHEET 1 OF 1

		REVISION
		2 10-15-13
FIGURE 6010.601		STANDARD ROAD PLAN
REVISIONS: Changed dimension in Type A and C TYPICAL SECTION.		SW-601 SHEET 1 of 1
<i>Paul D. Wigand</i> SUDAS DIRECTOR		<i>Brian Smith</i> DESIGN METHODS ENGINEER
CASTINGS FOR SANITARY SEWER MANHOLES		