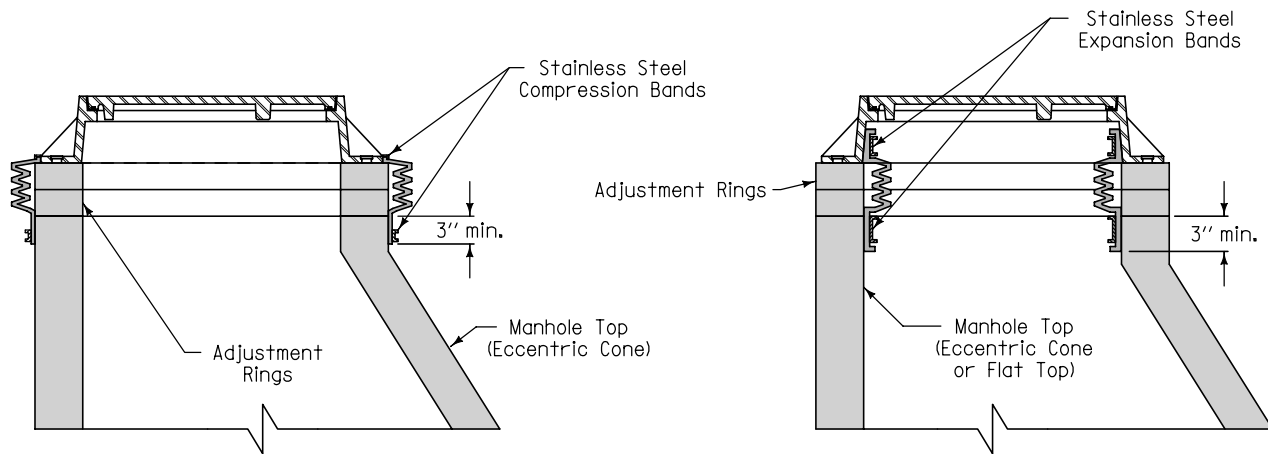


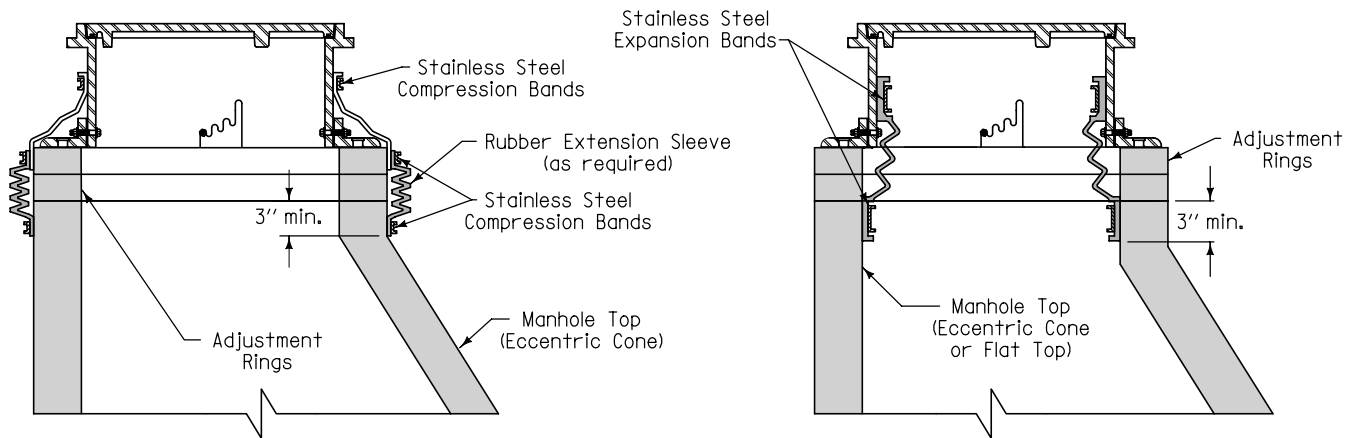
CHIMNEY SEALS FOR 2-PIECE CASTINGS



EXTERNAL SEAL

INTERNAL SEAL

CHIMNEY SEALS FOR 3-PIECE CASTINGS



EXTERNAL SEAL

INTERNAL SEAL

FIGURE 6010.306 SHEET 1 OF 1

		REVISION
		NEW 04-21-09
FIGURE 6010.306	STANDARD ROAD PLAN	SW-306
REVISIONS: New.		SHEET 1 of 1
SUDAS DIRECTOR		DESIGN METHODS ENGINEER

CHIMNEY SEALS FOR
SANITARY SEWER MANHOLES