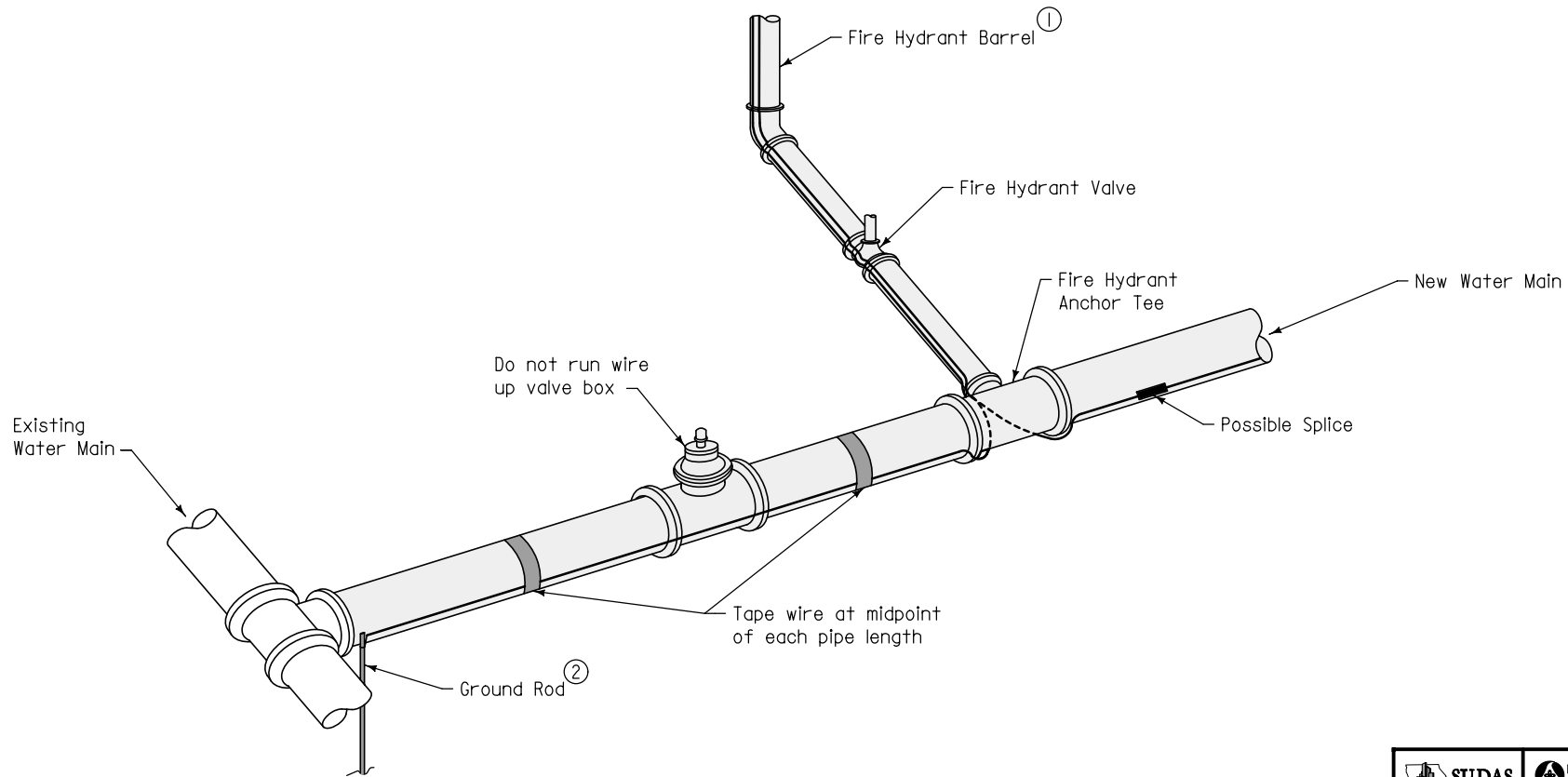


- ① Extend tracer wire up fire hydrant barrel to internal terminals of tracer wire station and back down. Refer to WM-201 for details of fire hydrant assembly.
- ② Clamp tracer wire to ground rod at system termination points.



TYPICAL INSTALLATION

SUDAS	Iowa Department of Transportation	REVISION
		NEW 04-21-09
FIGURE 5010.102	STANDARD ROAD PLAN	WM-102
		SHEET 1 of 1
REVISIONS: New. Replaces SUDAS Figure 5010.3		
SUDAS DIRECTOR		DESIGN METHODS ENGINEER
TRACER SYSTEM		