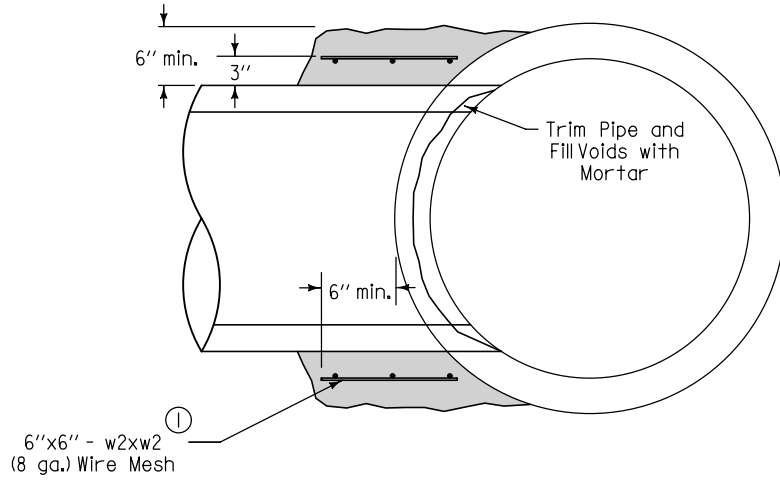
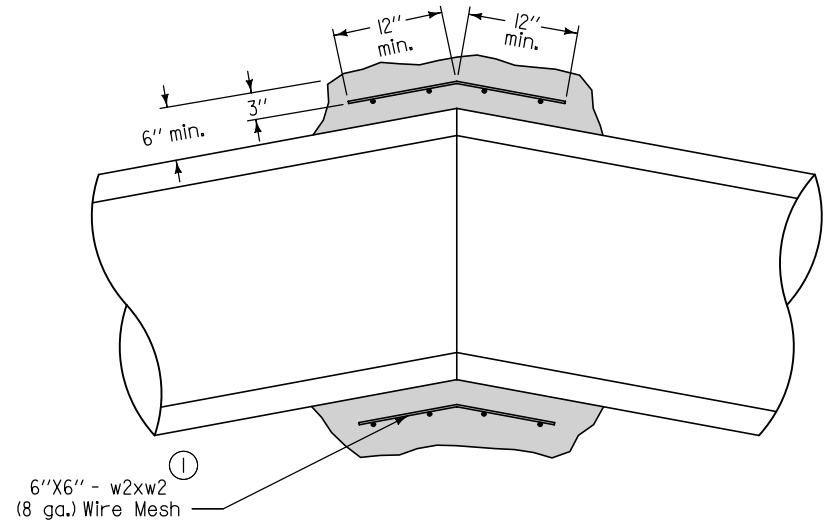


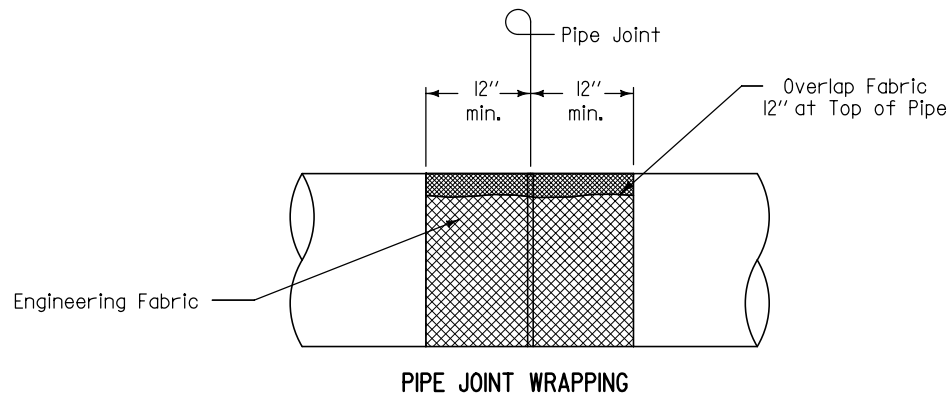
① Lap ends of wire mesh a minimum of 6 inches.



TYPE PC-1 CONCRETE COLLAR CONNECTION



TYPE PC-2 CONCRETE COLLAR CONNECTION



PIPE JOINT WRAPPING

FIGURE 4020.211 SHEET 1 OF 1

SUDAS	Iowa Department of Transportation	REVISION
		NEW 04-21-09
FIGURE 4020.211	STANDARD ROAD PLAN	<b>SW-211</b>
		SHEET 1 of 1
REVISIONS: New. Replaces SUDAS Figure 4020.1A.		
SUDAS DIRECTOR		DESIGN METHODS ENGINEER
<b>SPECIAL PIPE CONNECTIONS FOR STORM SEWER</b>		