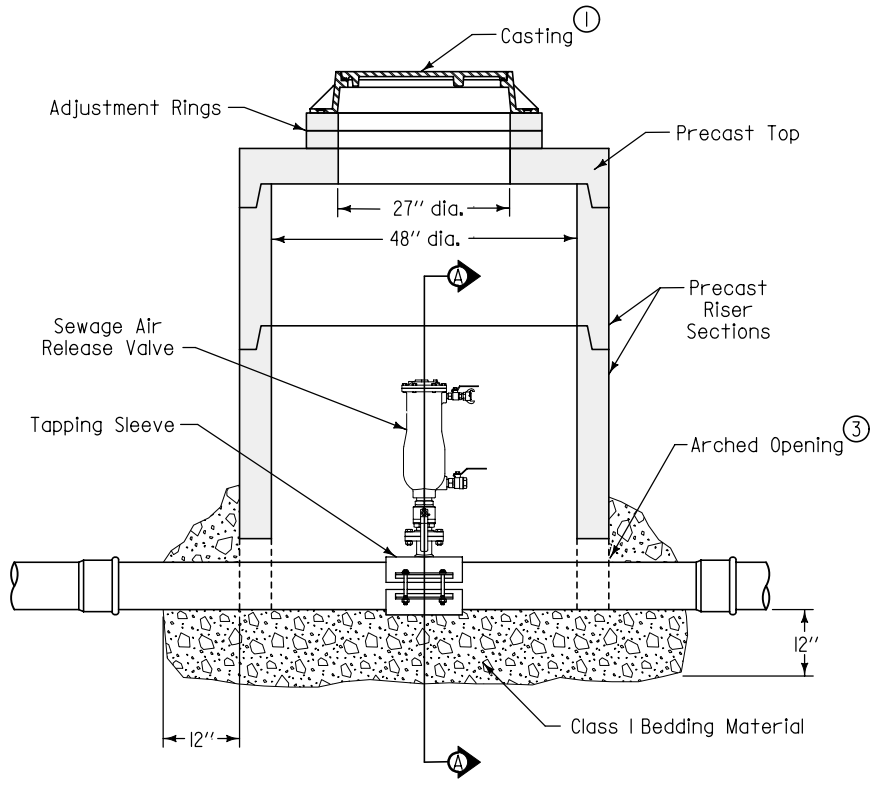
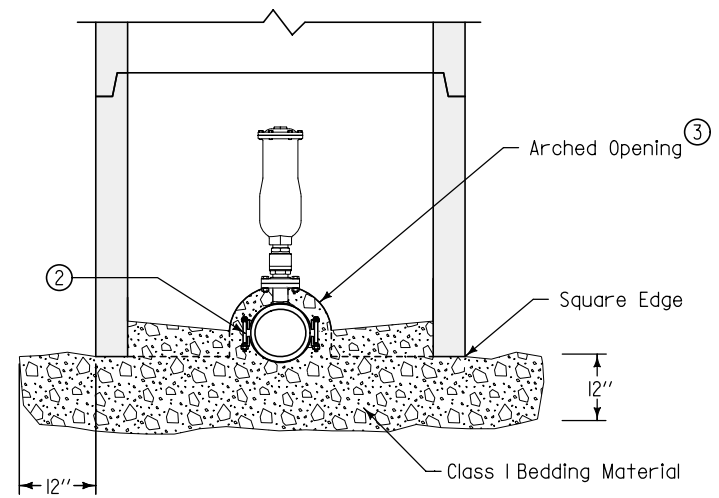


- ① SW-60I Type A or SW-602 Type G casting.
- ② Place bedding material to springline of pipe.
- ③ Prevent riser from bearing on pipe by providing an arched opening with a diameter up to 6 inches larger than pipe diameter.



TYPICAL SECTION



SECTION A-A

FIGURE 4010.202 SHEET 1 OF 1

SUDAS	Iowa Department of Transportation	REVISION
		NEW 04-21-09
FIGURE 4010.202	STANDARD ROAD PLAN	SW-202
		SHEET 1 of 1
REVISIONS: New. Replaces SUDAS Figure 4010.3		
SUDAS DIRECTOR		DESIGN METHODS ENGINEER
SEWAGE AIR RELEASE VALVE PIT		