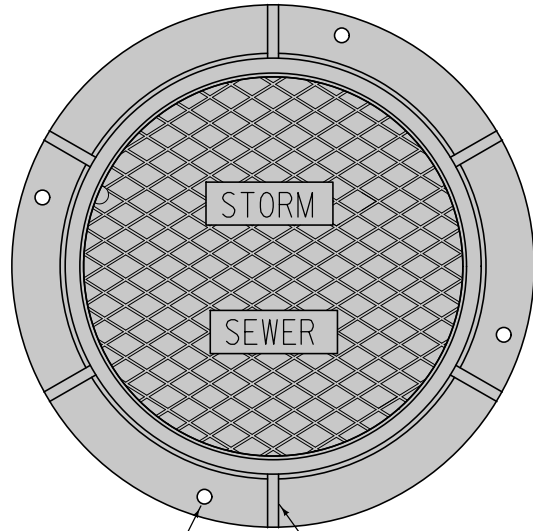


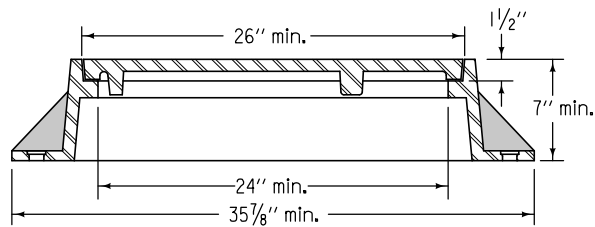
TYPE E

Two-piece fixed casting



Anchor Bolt Hole ① Flange (typ.)

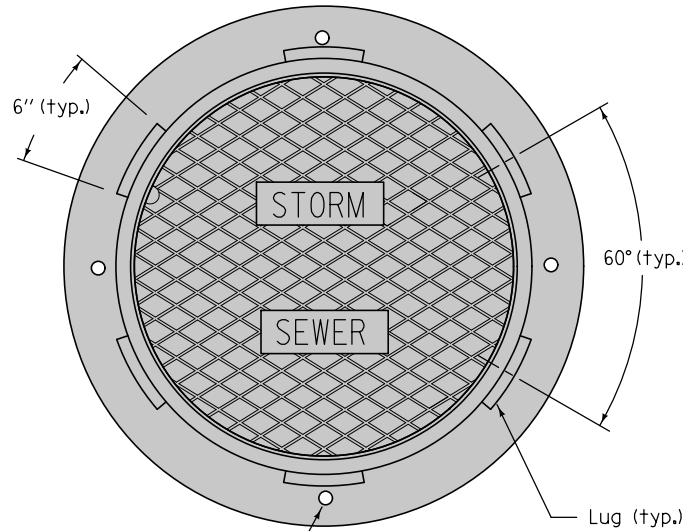
PLAN



TYPICAL SECTION

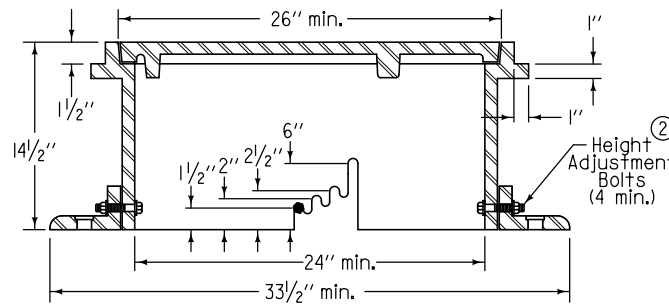
TYPE F

Three-piece floating casting



Anchor Bolt Hole ① Lug (typ.)

PLAN



TYPICAL SECTION

Frame Notes:
Size and spacing of lugs and flanges may vary.

Cover Notes:
Roughness pattern and text styles may vary.
Minimum one concealed pickhole.

- ① When the contract documents require the frame to be attached to the structure, drill four 3/8" diameter holes or slots, equally spaced around frame.
- ② Remove bolts upon completion of paving.

FIGURE 6010.602 SHEET 1 OF 2

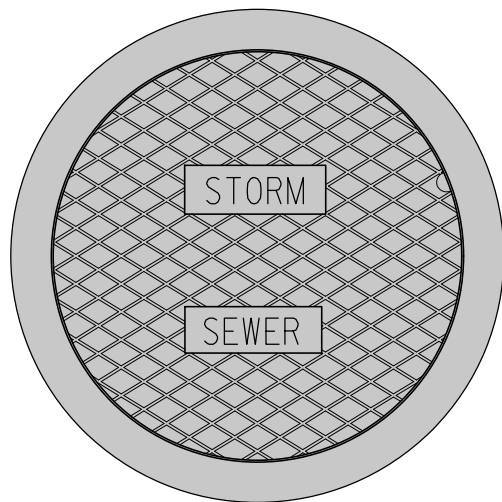
		REVISION
		2 04-15-14
FIGURE 6010.602 STANDARD ROAD PLAN		SW-602
		SHEET 1 of 2

REVISIONS: Changed dimensions on page 2.

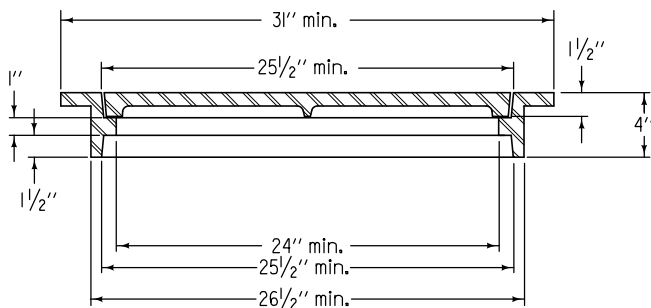
Paul D. Wigand SUDAS DIRECTOR *Brian Smith* DESIGN METHODS ENGINEER

**CASTINGS FOR
STORM SEWER MANHOLES**

TYPE G
Two-piece fixed casting



PLAN

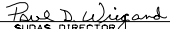
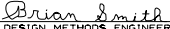


TYPICAL SECTION

FIGURE 6010.602 SHEET 2 OF 2

 SUDAS	 Iowa Department of Transportation	REVISION	
		2	04-15-14
FIGURE 6010.602	STANDARD ROAD PLAN	SW-602	
		SHEET 2 of 2	

REVISIONS: Changed dimensions on page 2.

 Paul D. Wigand
 SUDAS DIRECTOR
  Brian Smith
 DESIGN METHODS ENGINEER

**CASTINGS FOR
STORM SEWER MANHOLES**