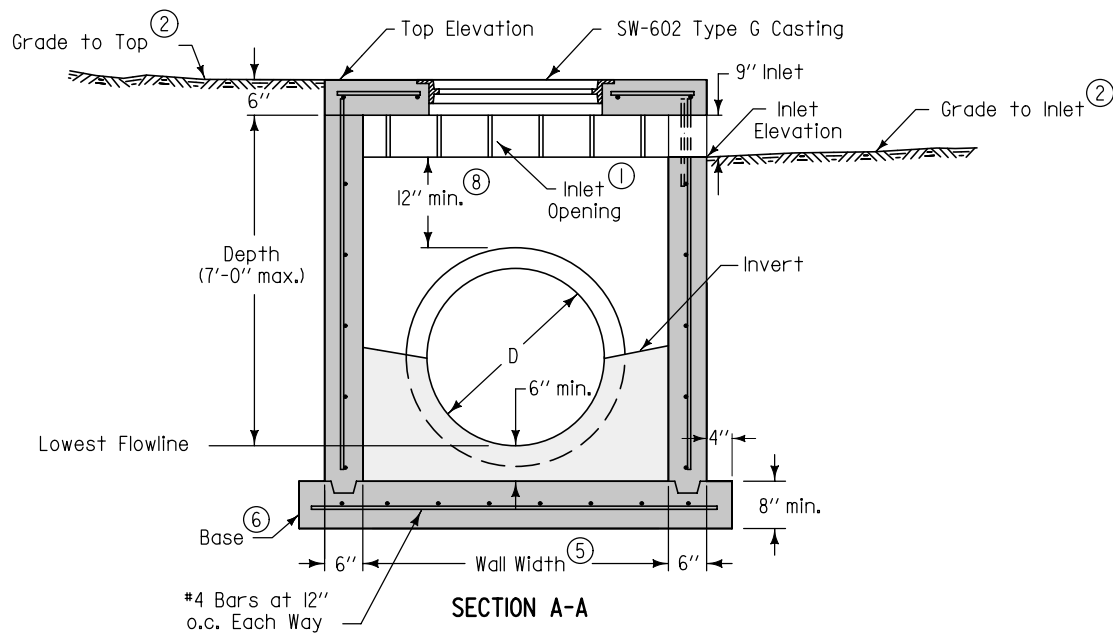


PLAN



SECTION A-A

Structure may be built with openings on any or all sides. Provide openings and orientation as specified in the contract documents.

Adjacent walls may have different widths based upon pipe configuration, but structure must be rectangular.

- ① Construct inlet openings with 15-inch #4 epoxy-coated bars at 8 inches on center. Embed bars a minimum of 3 inches into walls and top at all openings.
- ② Grade to inlet elevation on open sides. Grade to top elevation on closed sides.
- ③ Corner pier required between openings of two adjacent walls. Extend wall reinforcing vertically through pier. Install one additional 15-inch #4 bar in pier.
- ④ Center pier required at center of any inlet opening with length of 5 feet or greater. Extend wall reinforcing vertically through pier. Install one additional 15-inch #4 bar in pier.
- ⑤ Wall widths vary with pipe diameter. Provide 6 inches of wall width (minimum) each side of pipe opening. Minimum wall width is 36 inches. Maximum wallwidth is 72 inches.
- ⑥ Cast-in-place base shown. If base is precast integral with walls, the footprint of base is not required to extend beyond the outer edge of the walls.
- ⑦ Install four #4 diagonal bars at all pipe openings.
- ⑧ 12" minimum wall height above all pipes.

FIGURE 6010.513 SHEET 10F-1

| | | |
|--|-----------------------------------|-------------------------|
| SUDAS | Iowa Department of Transportation | REVISION |
| | | NEW 04-21-09 |
| FIGURE 6010.513 | STANDARD ROAD PLAN | SW-513 |
| | | SHEET 1 of 1 |
| REVISIONS: New. Replaces SUDAS Area Type "M-G" Intake. | | |
| SUDAS DIRECTOR | | DESIGN METHODS ENGINEER |
| OPEN-SIDED AREA INTAKE | | |