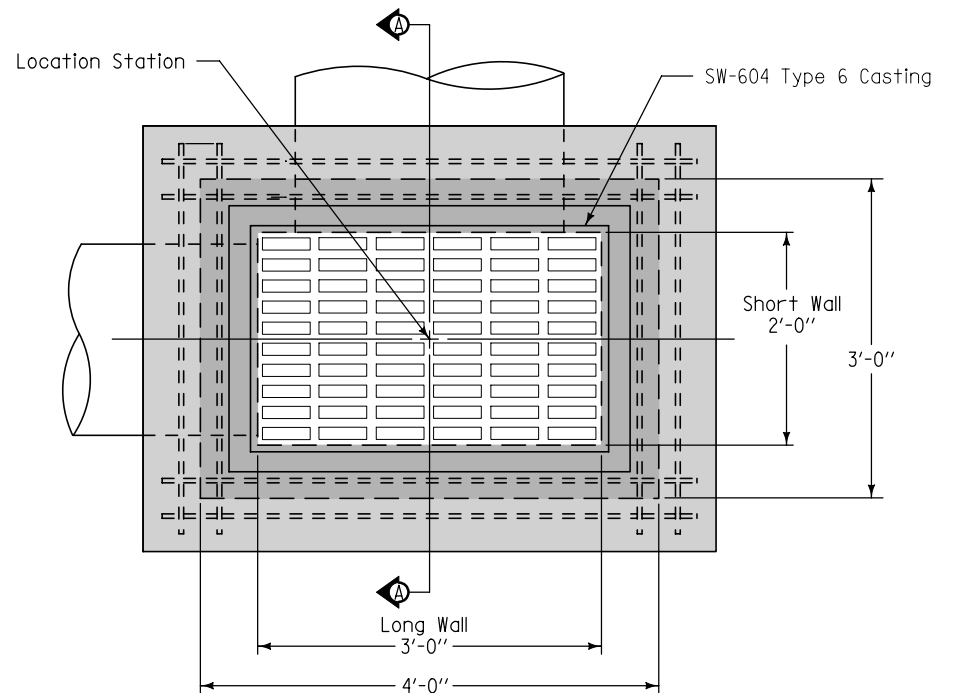


SECTION A-A

- ① Install four #4 diagonal bars at all pipe openings.
- ② Cast-in-place base shown. If base is precast integral with walls, the footprint of the base is not required to extend beyond the outer edge of the walls.
- ③ 12 inch minimum wall height above all pipes.



PLAN

MAXIMUM PIPE DIAMETERS		
Pipe Location	Precast Structure	Cast-in-place Structure
Short Wall	15"	18"
Long Wall	24"	30"

FIGURE 6010.511 SHEET 1 OF 1

SUDAS	Iowa Department of Transportation	REVISION
		NEW 04-21-09
<b>FIGURE 6010.511</b>	<b>STANDARD ROAD PLAN</b>	<b>SW-511</b>
		SHEET 1 of 1
REVISIONS: New. Replaces SUDAS Area Type "M-H" Intake.		
SUDAS DIRECTOR		DESIGN METHODS ENGINEER
<b>RECTANGULAR AREA INTAKE</b>		