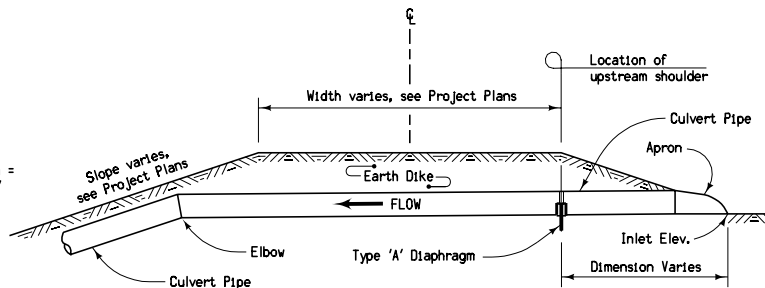


PLAN VIEW



TYPICAL SECTION OF INSTALLATION

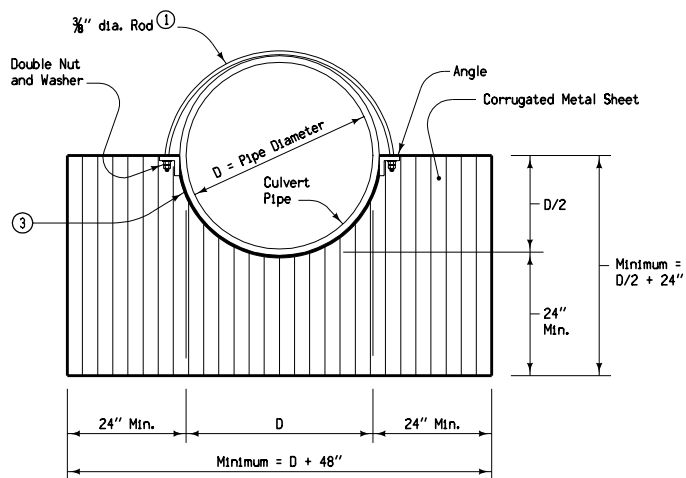
Place diaphragm below upstream shoulder of dike unless otherwise specified on Project Plans.

Type 'A' Diaphragm is an anti-seep device for use on letdown structures and shall be installed directly below the upstream shoulder of the dike.

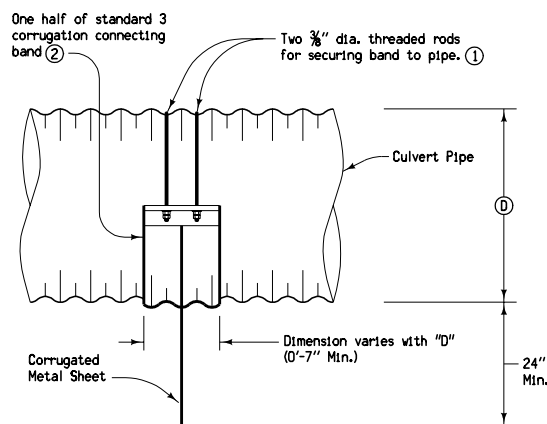
Type 'A' Diaphragm shall consist of a sheet of corrugated metal of the dimensions indicated hereon and of the same thickness as the pipe used for culvert pipe. This sheet may be fabricated from one or more sheets of corrugated metal. If two or more sheets are used, they shall be lapped a minimum of one corrugation and welded or riveted at a minimum of 3 inch centers along the seam. The sheet shall be welded on both sides to a standard half connecting band of dimensions indicated hereon. This assembly shall then be securely attached to the pipe by means of two 3/8-inch diameter rods of appropriate length placed in two adjacent valleys of the corrugated pipe and threaded with double nut and washer.

Details are shown using corrugated metal culvert pipe. Appropriate modifications as indicated, subject to the approval of the Engineer, shall be made as necessary where concrete culvert pipe is used. Plastic diaphragms shall be used when connecting to plastic pipe.

- ① Normal half of connecting band may be used in lieu of rods when approved by the Engineer.
- ② Use flat steel band of equivalent dimensions where Type 'A' Corrugated Metal Diaphragm is to be installed on Concrete Culvert pipe.
- ③ Corrugated metal sheet shall be continuously welded to the connecting band. Shape to fit outside pipe diameter.



END VIEW



SIDE VIEW

	REVISION	
	6	10-16-07
STANDARD ROAD PLAN		RF-7
		SHEET 1 of 1

REVISIONS: Added note for use of plastic diaphragm.

Deanna Myford
APPROVED BY DESIGN METHODS ENGINEER

**CORRUGATED METAL
TYPE 'A' DIAPHRAGM**