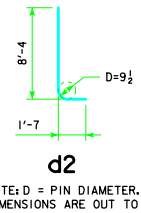
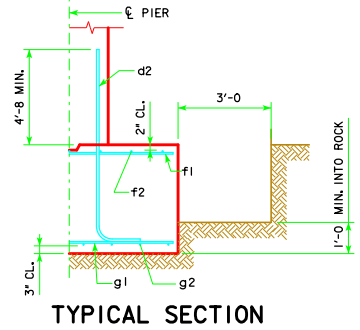
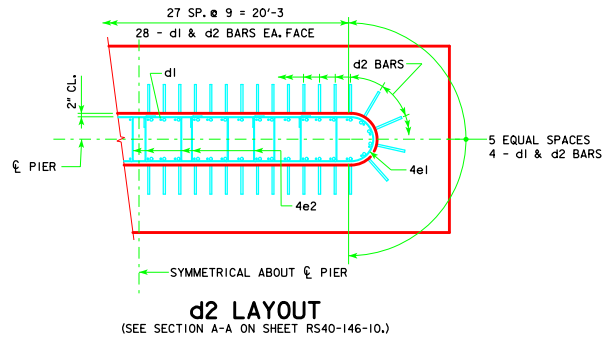


H IN FT.	CL - CL ABUT. BRG.	FOOTING SIZE
16 TO 18		
160'-0		
180'-0	4' x 8' x 28'	
200'-0		
220'-0	4' x 9' x 28'	
240'-0	4' x 9' x 30'	
260'-0	4' x 9' x 30'	
280'-0	4' x 10' x 30'	
300'-0	4' x 10' x 32'	
320'-0	4' x 10' x 32'	
340'-0	4' x 11' x 32'	
19 TO 21		
160'-0	4' x 8' x 28'	
180'-0	4' x 9' x 28'	
200'-0	4' x 9' x 30'	
220'-0	4' x 9' x 30'	
240'-0	4' x 10' x 30'	
260'-0	4' x 10' x 30'	
280'-0	4' x 10' x 32'	
300'-0	4' x 10' x 32'	
320'-0	4' x 11' x 32'	
340'-0	4' x 11' x 32'	
22 TO 24		
160'-0	4' x 8' x 28'	
180'-0	4' x 9' x 28'	
200'-0	4' x 9' x 28'	
220'-0	4' x 9' x 30'	
240'-0	4' x 9' x 30'	
260'-0	4' x 10' x 30'	
280'-0	4' x 10' x 30'	
300'-0	4' x 10' x 32'	
320'-0	4' x 11' x 32'	
340'-0	4' x 11' x 32'	
25 TO 27		
160'-0	4' x 8' x 28'	
180'-0	4' x 9' x 28'	
200'-0	4' x 9' x 30'	
220'-0	4' x 9' x 30'	
240'-0	4' x 10' x 30'	
260'-0	4' x 10' x 30'	
280'-0	4' x 10' x 32'	
300'-0	4' x 11' x 32'	
320'-0	4' x 11' x 32'	
340'-0	4' x 11' x 34'	
28 TO 30		
160'-0	4' x 9' x 28'	
180'-0	4' x 9' x 28'	
200'-0	4' x 9' x 30'	
220'-0	4' x 9' x 30'	
240'-0	4' x 10' x 30'	
260'-0	4' x 10' x 30'	
280'-0	4' x 10' x 32'	
300'-0	4' x 10' x 32'	
320'-0	4' x 11' x 32'	
340'-0	4' x 11' x 34'	
31 TO 33		
160'-0	4' x 9' x 28'	
180'-0	4' x 9' x 28'	
200'-0	4' x 9' x 30'	
220'-0	4' x 9' x 30'	
240'-0	4' x 10' x 30'	
260'-0	4' x 10' x 30'	
280'-0	4' x 10' x 32'	
300'-0	4' x 11' x 32'	
320'-0	4' x 11' x 32'	
340'-0	4' x 11' x 34'	
34 TO 36		
160'-0	4' x 9' x 28'	
180'-0	4' x 9' x 28'	
200'-0	4' x 9' x 30'	
220'-0	4' x 9' x 30'	
240'-0	4' x 10' x 30'	
260'-0	4' x 10' x 30'	
280'-0	4' x 10' x 32'	
300'-0	4' x 11' x 32'	
320'-0	4' x 11' x 32'	
340'-0	4' x 11' x 34'	

H IN FT.	CL - CL ABUT. BRG.	FOOTING SIZE
37 TO 40		
160'-0	4' x 9' x 28'	
180'-0	4' x 9' x 30'	
200'-0	4' x 9' x 30'	
220'-0	4' x 10' x 30'	
240'-0	4' x 10' x 30'	
260'-0	4' x 10' x 32'	
280'-0	4' x 10' x 32'	
300'-0	4' x 11' x 32'	
320'-0	4' x 11' x 32'	
340'-0	4' x 11' x 34'	

FOOTING SIZE	REINFORCING STEEL (ONE FOOTING)				TOTAL WEIGHT (LB.)	STRUCTURAL CONCRETE (CY)
	BAR NO., SIZE & SPACING	LENGTH	WEIGHT (LB.)			
4' x 8' x 28'	d2 64 - #9 AS SHOWN	9'-11	2158		3267	33.2
	f1 28 - #5 @ 1'-0	7'-8	224			
	f2 8 - #5 @ 1'-0	27'-8	231			
	g1 28 - #6 @ 1'-0	7'-8	322			
	g2 8 - #6 @ 1'-0	27'-8	332			
4' x 9' x 28'	d2 64 - #9 AS SHOWN	9'-11	2158		3462	37.3
	f1 28 - #5 @ 1'-0	8'-8	253			
	f2 9 - #5 @ 1'-0	27'-8	260			
	g1 32 - #6 @ 0'-10 1/2	8'-8	417			
	g2 9 - #6 @ 1'-0	27'-8	374			
4' x 9' x 30'	d2 64 - #9 AS SHOWN	9'-11	2158		3843	40.0
	f1 30 - #5 @ 1'-0	8'-8	271			
	f2 9 - #5 @ 1'-0	29'-8	278			
	g1 36 - #6 @ 0'-10	8'-8	469			
	g2 11 - #7 @ 0'-10	29'-8	667			
4' x 10' x 30'	d2 64 - #9 AS SHOWN	9'-11	2158		4208	44.4
	f1 30 - #5 @ 1'-0	9'-8	302			
	f2 10 - #5 @ 1'-0	29'-8	309			
	g1 36 - #7 @ 0'-10	9'-8	711			
	g2 12 - #7 @ 0'-10	29'-8	728			
4' x 10' x 32'	d2 64 - #9 AS SHOWN	9'-11	2158		4850	47.4
	f1 32 - #5 @ 1'-0	9'-8	323			
	f2 10 - #5 @ 1'-0	31'-8	330			
	g1 39 - #7 @ 0'-9 1/2	9'-8	771			
	g2 15 - #8 @ 0'-8	31'-8	1268			
4' x 11' x 32'	d2 64 - #9 AS SHOWN	9'-11	2158		5312	52.1
	f1 32 - #5 @ 1'-0	10'-8	356			
	f2 11 - #5 @ 1'-0	31'-8	363			
	g1 38 - #8 @ 0'-10	10'-8	1082			
	g2 16 - #8 @ 0'-8	31'-8	1353			
4' x 11' x 34'	d2 64 - #9 AS SHOWN	9'-11	2158		6146	55.4
	f1 34 - #5 @ 1'-0	10'-8	378			
	f2 11 - #5 @ 1'-0	33'-8	386			
	g1 42 - #8 @ 0'-9 1/2	10'-8	1196			
	g2 14 - #10 @ 0'-9 1/2	33'-8	2028			



FOOTING NOTES:

THESE SPREAD FOOTINGS ARE DESIGNED AND DETAILED TO BE USED WITH THE CAP AND COLUMN DETAILS OF THE TEE PIERS AS SHOWN ON SHEET RS40-146-10.

THESE SPREAD FOOTINGS SHALL EXTEND AT LEAST 12 INCHES INTO SUITABLE FOUNDATION ROCK AND THE LAST 12 INCHES OF ROCK EXCAVATION SHALL BE TO NEAT LINES OF MASONRY. THE FOUNDATION ROCK SHALL HAVE A MINIMUM LRFD NOMINAL BEARING RESISTANCE OF 30 KIPS PER SQUARE FOOT (ALLOWABLE BEARING VALUE OF AT LEAST 10 KIPS PER SQUARE FOOT).

05-13 LATEST REVISION DATE APPROVED BY BRIDGE ENGINEER 	 STANDARD DESIGN - 40' ROADWAY, 3 SPAN BRIDGES ROLLED STEEL BEAM BRIDGES JUNE, 2010
	TEE PIER - SPREAD FOOTINGS 30° SKEW - SHEET 1
	RS40-154-10