

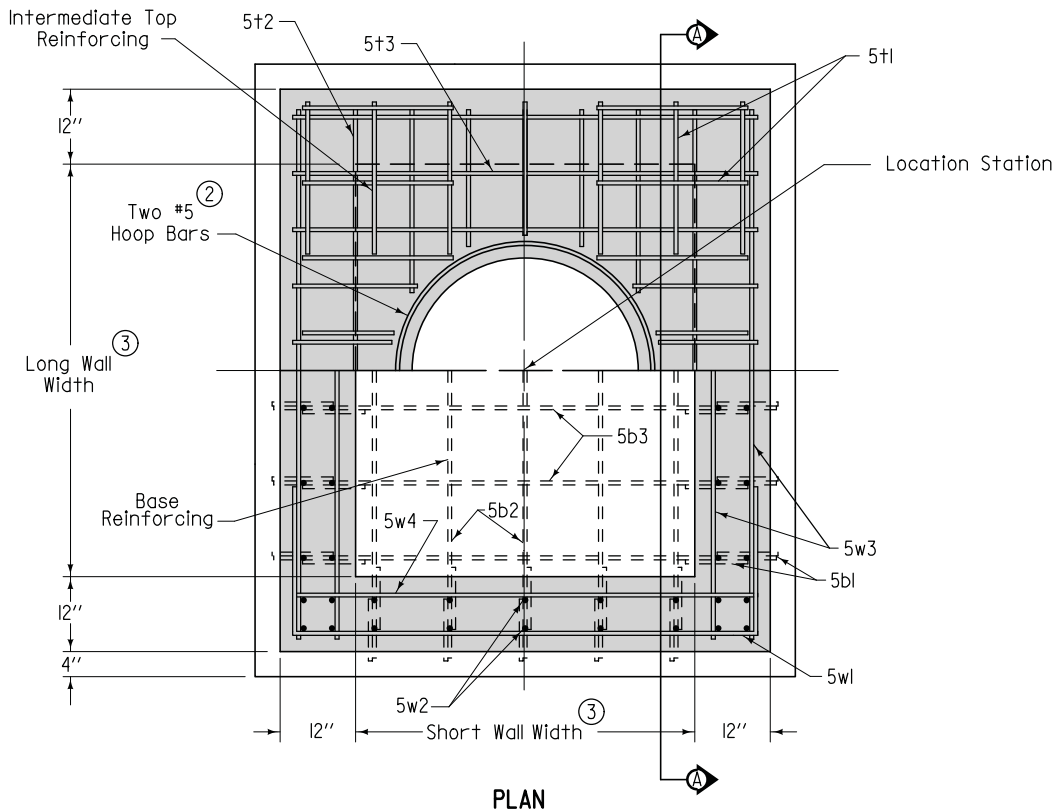
TYPICAL SECTION

Adjacent walls may have different widths based upon pipe configuration, but structure must be rectangular.

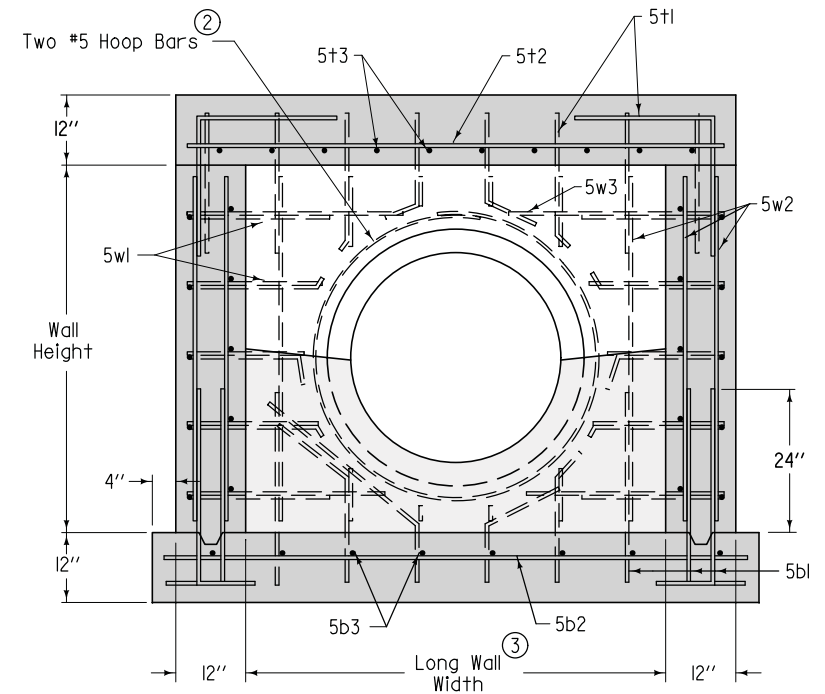
- ① Cast-in-place base shown. If base is precast integral with walls, the footprint of the base is not required to extend beyond the outer edge of the walls.
- ② Provide two #5 hoop bars at intermediate top opening and at all pipe openings.
- ③ Wall widths vary with pipe diameter and range from 4 feet minimum to 12 feet maximum. Provide 12 inches of wall width (minimum) each side of pipe opening.
- ④ 12 inch minimum wall height above all pipe openings.

FIGURE 6010.304 SHEET 1 OF 2

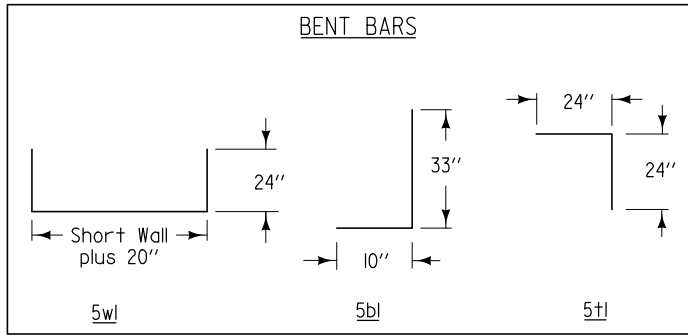
SUDAS	Iowa Department of Transportation	REVISION
		1   04-17-12
<b>FIGURE 6010.304</b> STANDARD ROAD PLAN		<b>SW-304</b> SHEET 1 of 2
REVISIONS: Modified note 3 on sheet 2.		
<i>Paul D. Wiegand</i> SUDAS DIRECTOR		<i>Deanna Marfield</i> DESIGN METHODS ENGINEER
<b>RECTANGULAR BASE/ CIRCULAR TOP SANITARY SEWER MANHOLE</b>		



- ② Provide two #5 hoop bars at intermediate top opening and at all pipe openings.
- ③ Wall widths vary with pipe diameter and range from 4 feet minimum to 12 feet maximum. Provide 12 inches of wall opening (minimum) each side of pipe opening.



REINFORCING BAR LIST					
Mark	Size	Location	Shape	Length	Spacing
5t1	5	Top	L	48"	12"
5t2	5	Top	—	Long Wall plus 20"	9"
5t3	5	Top	—	Short Wall plus 20"	9"
5t4	5	Top	—	8"	12"
5b1	5	Base	L	43"	12"
5b2	5	Base	—	Long Wall plus 26"	12"
5b3	5	Base	—	Short Wall plus 26"	12"
5w1	5	Wall	U	Short Wall plus 68"	12"
5w2	5	Wall	—	Wall Height minus 4"	12"
5w3	5	Wall	—	Long Wall plus 20"	12"
5w4	5	Wall	—	Short Wall plus 20"	12"



SECTION A-A

SUDAS Iowa Department of Transportation	REVISION 1 04-17-12	
	<b>FIGURE 6010.304 STANDARD ROAD PLAN</b> <b>SW-304</b> SHEET 2 of 2	
REVISIONS: Modified note 3 on sheet 2.		
<i>Paul D. Weigand</i> SUDAS DIRECTOR		
<i>Deanna Marjuff</i> DESIGN METHODS ENGINEER		
<b>RECTANGULAR BASE/          CIRCULAR TOP          SANITARY SEWER MANHOLE</b>		

FIGURE 6010.304 SHEET 2 OF 2