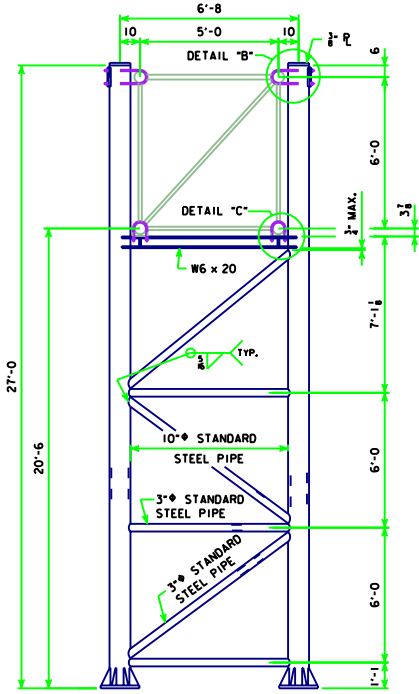
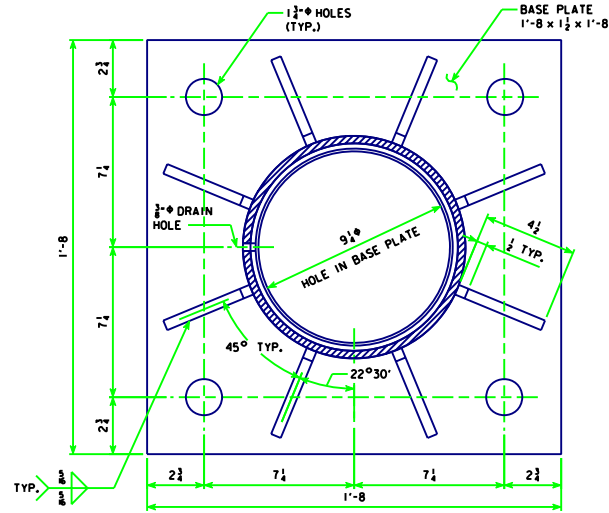


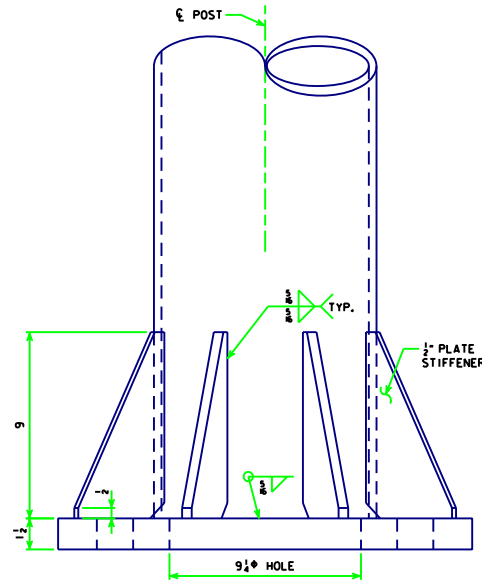
REVISION 05-06 - 6'-0" DIMENSION CHANGED TO 7'-1 1/4" IN SUPPORT BAY. HAND HOLD DIMENSIONS DELETED.



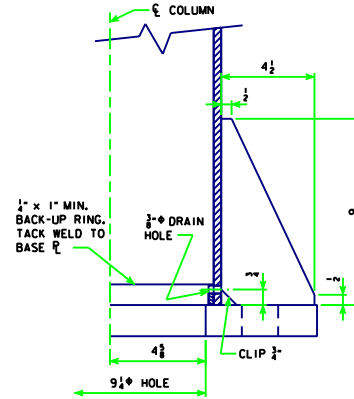
END VIEW OF TRUSS SUPPORT



BASE PLATE PLAN



BASE SIDE VIEW



BASE CROSS-SECTION

NOTE: SEE STD. SHEET STO-08-06 FOR DETAILS OF DETAIL 'B' & 'C'.

08-06 LATEST REVISION DATE	<i>Thomas R. McQuinn</i> APPROVED BY BRIDGE ENGINEER		
		STANDARD DESIGN ALUMINUM OVERHEAD SIGN TRUSS WITH GALVANIZED STEEL SUPPORTS FEBRUARY, 2006	
BASE PLATE DETAILS		STOH-03-06	
50' TO 70' SPANS			