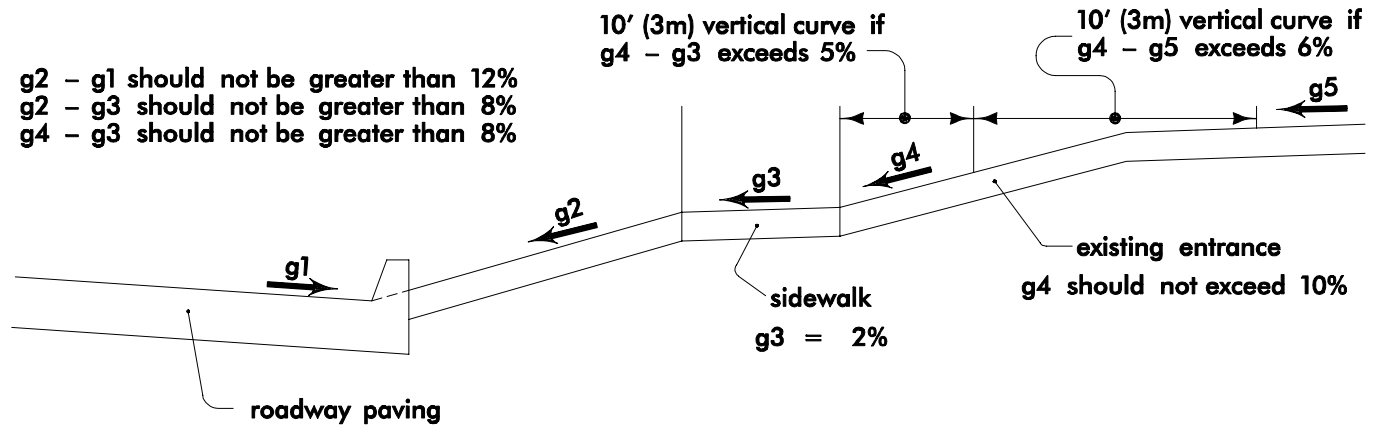


Typical Cross Section of Entrance



Typical Design Vehicle

