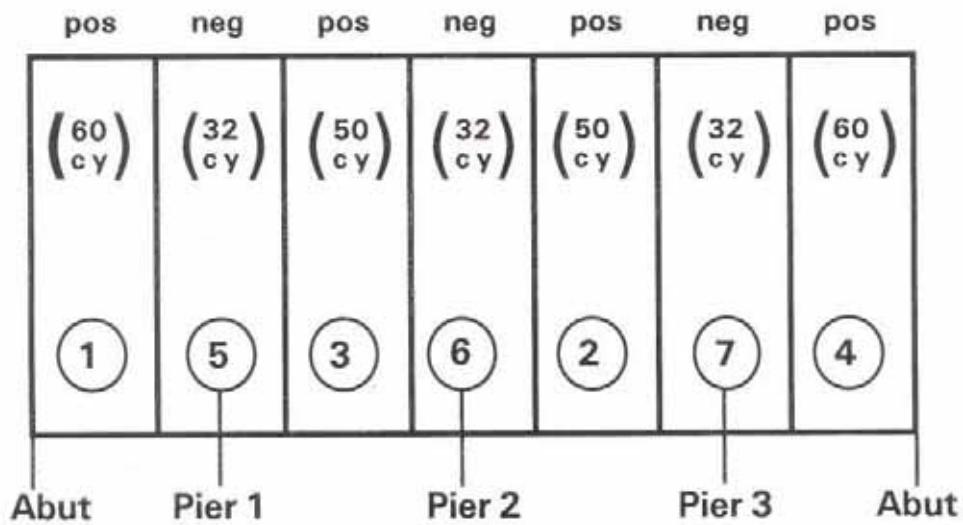
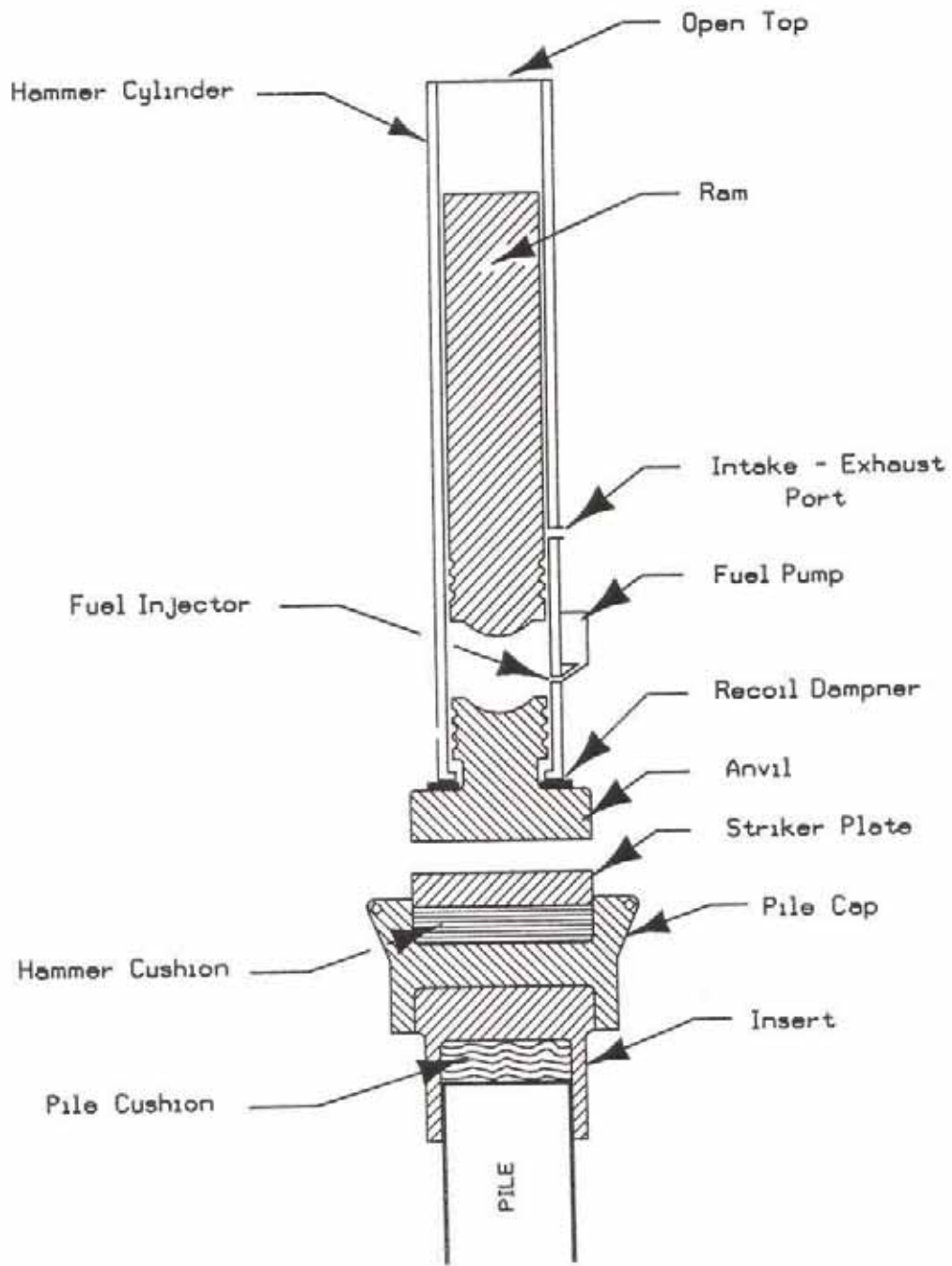


EXAMPLE CONCRETE PLACEMENT DIAGRAM 1
(Noncontinuous)



EXAMPLE CONCRETE PLACEMENT DIAGRAM 2
(Continuous)



SINGLE ACTING DIESEL HAMMER