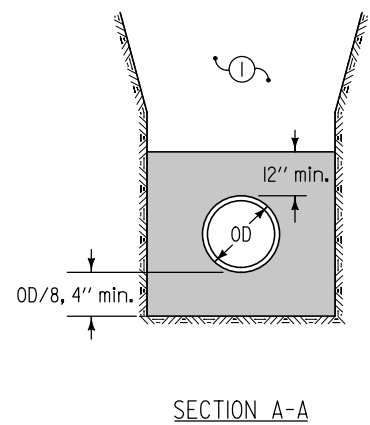
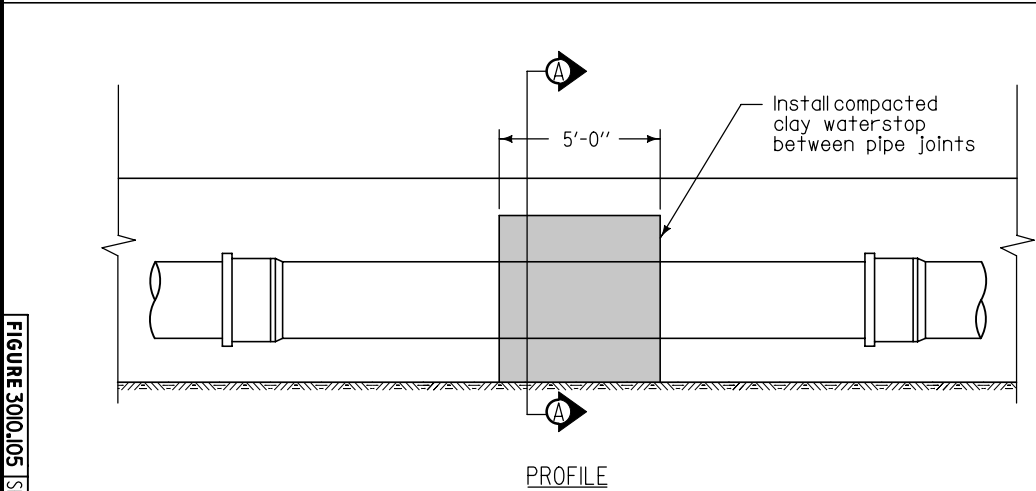


- ① Place remainder of bedding and backfill material as specified in the contract documents.
- ② Place encasement material in two lifts, or as required to prevent pipe flotation. Allow previous lift to reach initial set prior to placing subsequent lifts.
- ③ Restrain pipe as necessary to prevent flotation.
- ④ When specified in the contract documents, install waterstops at a nominal spacing of 800 feet or at locations as specified by the Engineer.



WATERSTOP FOR TRENCHES ④

FIGURE 300.105 SHEET 1 OF 1

SUDAS	Iowa Department of Transportation	REVISION
		1 10-20-09
FIGURE 300.105	STANDARD ROAD PLAN	SW-105
		SHEET 1 of 1
REVISIONS: Added waterstop information from SUDAS figure.		
SUDAS DIRECTOR		DESIGN METHODS ENGINEER

MISCELLANEOUS PIPE BEDDING