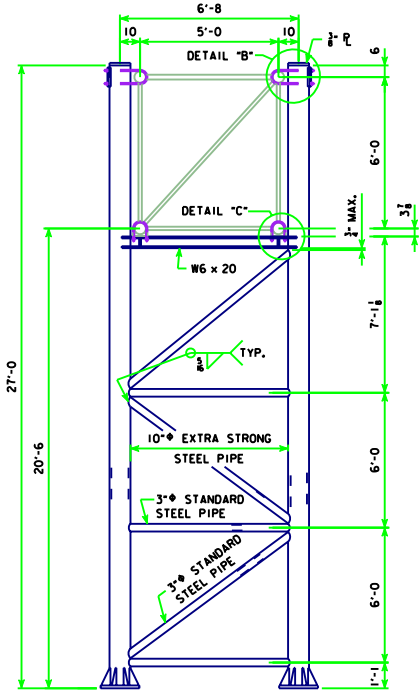
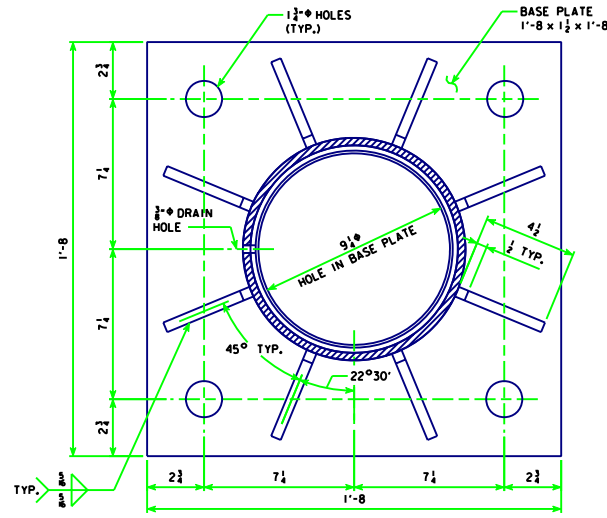


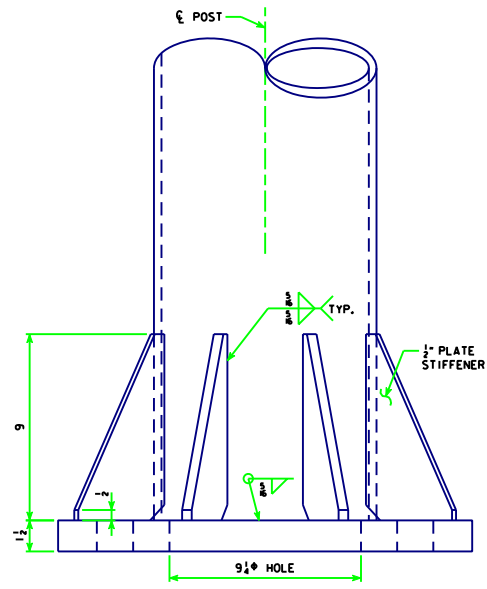
REVISION 05-06 - 6'-0" DIMENSION CHANGED TO 7'-1 1/4" IN SUPPORT BAY. HAND HOLD DIMENSIONS DELETED.



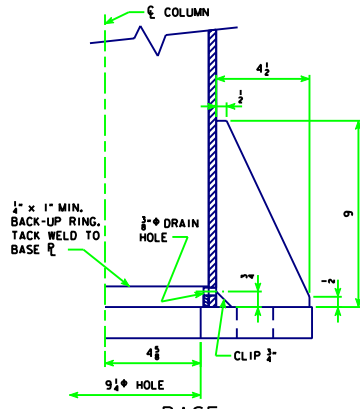
END VIEW OF TRUSS SUPPORT



BASE PLATE PLAN



BASE SIDE VIEW



BASE CROSS-SECTION

NOTE: SEE STD. SHEET STO-08-06 FOR DETAILS OF DETAIL 'B' & 'C'.

08-06 LATEST REVISION DATE <i>Thomas R. McQuinn</i> APPROVED BY BRIDGE ENGINEER	
	STANDARD DESIGN ALUMINUM OVERHEAD SIGN TRUSS WITH GALVANIZED STEEL SUPPORTS FEBRUARY, 2006
	BASE PLATE DETAILS STO-06-06 75' TO 100' SPANS