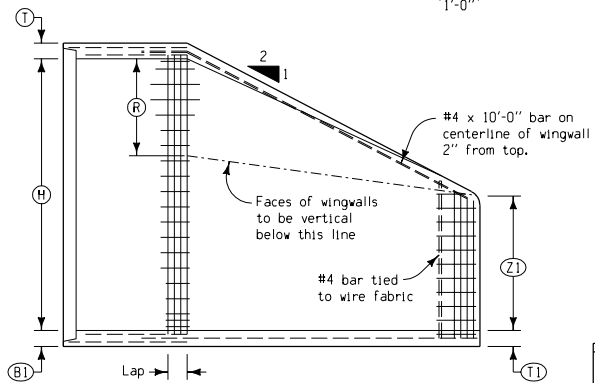
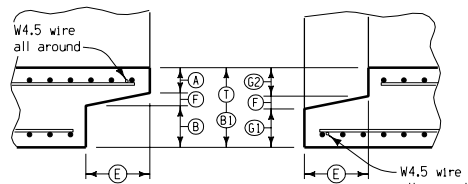


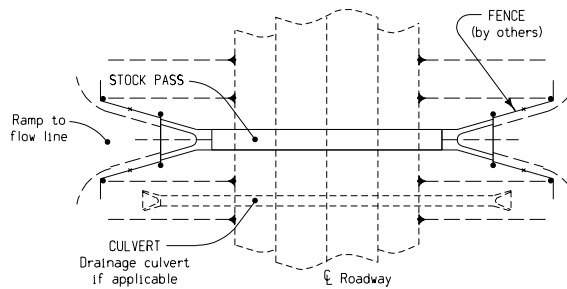
PLAN OF APRON



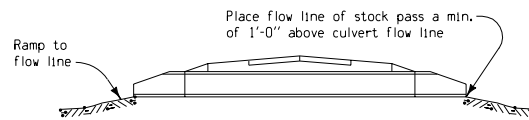
APRON LONGITUDINAL SECTION



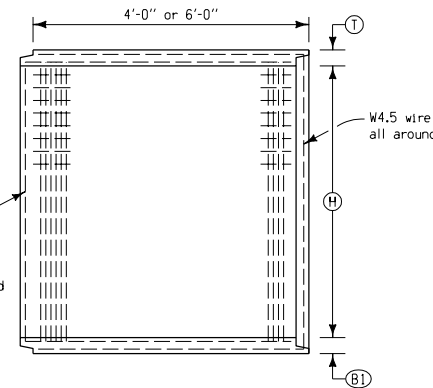
DETAIL OF TONGUE AND GROOVE



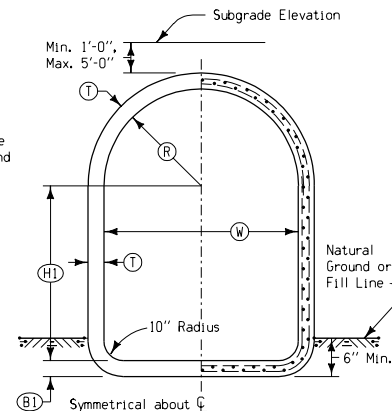
PLAN



LONGITUDINAL SECTION



DETAIL OF INTERMEDIATE UNIT



END VIEW
(With Installation Details)

GENERAL NOTES:

This plan shows the construction and installation details for precast stock passes. Details indicated are typical. Alternate designs or methods may be submitted to the Engineer for approval.

Materials and methods of construction shall be in accordance with current Standard and Supplemental Specifications.

The construction and installation of precast stock passes shall conform to the requirements in the section, "Rigid Pipe Culverts," of the specifications insofar as applicable.

Price bid for "Precast Concrete Stockpass Apron", each, and "Precast Concrete Stockpass", of the size specified in feet, shall be considered full compensation for fabrication and installation of stockpass as detailed hereon and as shown on detail project plans.

Reinforcing for intermediate unit shall be W8 wires at 2" centers for interior hoops and W5 wires at 2" centers for exterior hoops, with W2 longitudinal wires at 8" centers interior and exterior.

Reinforcing for wing portion of apron shall be single line W5 transverse wires at 2" centers, with single line W2 longitudinal wires and additional bar reinforcing as noted.

Wire reinforcing shall meet the requirements of AASHTO M 32. Wires shall be properly lapped as indicated, and clearances shall be as noted.

Structure	DIMENSIONS FOR APRON									
	T	T1	B1	H	R	W	X	Y	Z	Z1
4' x 6'	5"	5"	5"	6"	2'	4'	3'-2"	7'	7'	2'-11"
5' x 7'	6"	5"	7 1/2"	7'	2'-6"	5'	1'-9"	7'-5 1/2"	7'	3'-6"

Structure	DIMENSIONS FOR INTERMEDIATE UNIT					
	H	H1	W	R	T	B1
4' x 6'	6'	4'	4'	2'	5"	5"
5' x 7'	7'	4'-6"	5'	2'-6"	6"	7 1/2"

Structure	DIMENSIONS FOR TONGUE AND GROOVE							
	T	A	B	B1	E	F	G1	G2
4' x 6'	5"	1 3/8"	2 3/8"	5"	4"	3 3/4"	2 3/8"	1 1/8"
5' x 7'	6"	2 1/8"	3"	6"	5"	7/8"	2 3/4"	2 3/8"
		2 1/8"	4 1/2"	7 1/2"	5"	7/8"	4 1/4"	2 3/8"

Iowa Department of Transportation
Project Development Division

STANDARD ROAD PLAN **RF-8**

REVISION: Revise dimensioning and wire reinforcing designations. REVISION NO. 3

APPROVED BY DESIGN METHODS ENGINEER 06-23-97 REVISION DATE 10-28-97

PRECAST
STOCK PASS