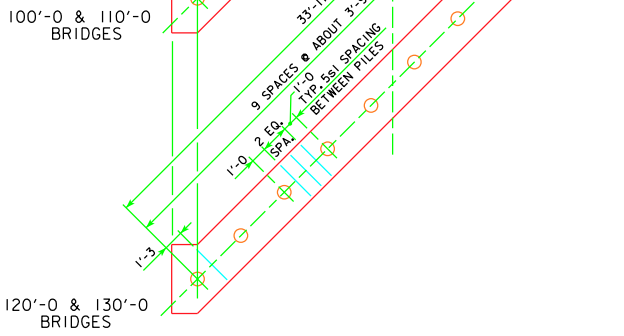
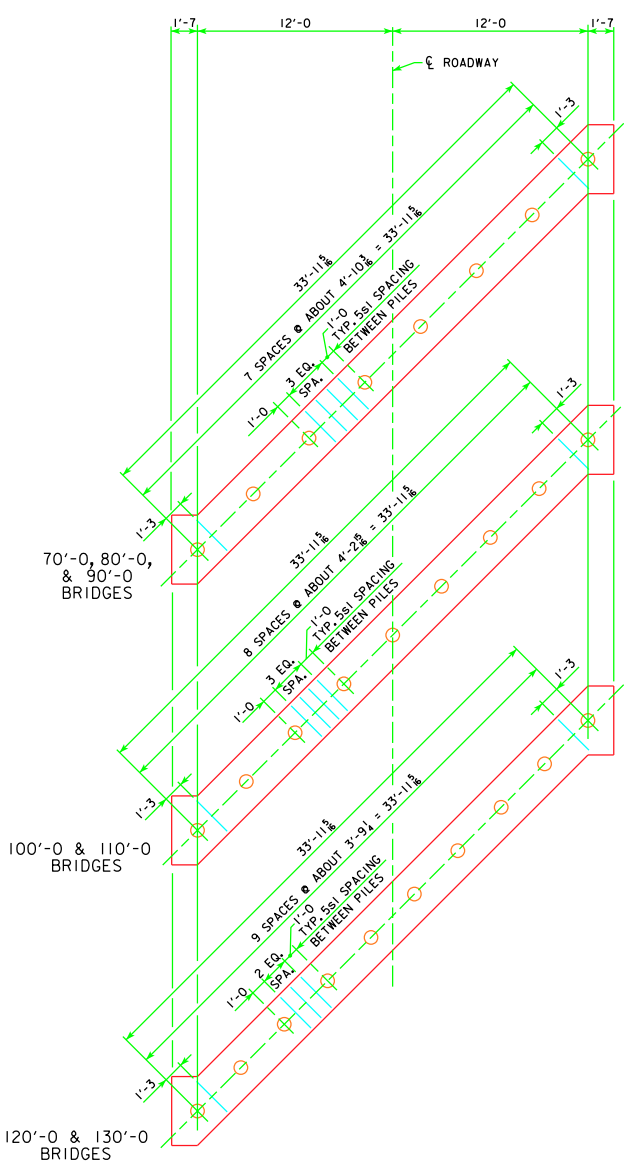
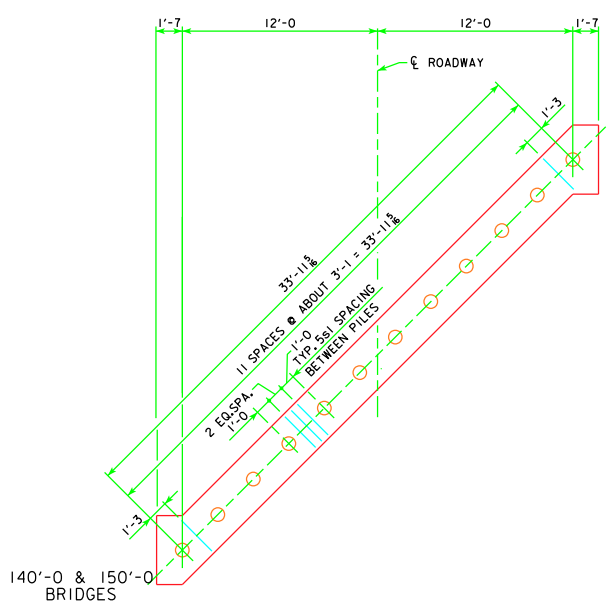


REVISED 12-08 - REVISED ENTIRE SHEET.



PILE PLAN - 45° SKEW
WOOD PILING



REACTION, PILE NUMBER & BEARING										
BRIDGE LENGTH	70'-0"	80'-0"	90'-0"	100'-0"	110'-0"	120'-0"	130'-0"	140'-0"	150'-0"	
REACTION - KIPS	287	302	315	332	349	368	387	Δ 442	Δ 464	
BEARING - TONS	18	19	20	19	20	19	20	19	20	
PILING - NUMBER	8	8	8	9	9	10	10	12	12	
STRENGTH I REACTION - KIPS	379	401	421	448	474	504	532	Δ 623	Δ 655	

Δ INCLUDES IMPACT

LATEST REVISION DATE	12-08	 Iowa Department of Transportation <i>Highway Division</i>	STANDARD DESIGN - 24' ROADWAY, 3 SPAN BRIDGES CONTINUOUS CONCRETE SLAB BRIDGES NOVEMBER, 2006	
	 APPROVED BY BRIDGE ENGINEER		ABUTMENT DETAILS 45° SKEW - TIMBER PILING	
	J24-32-06			