

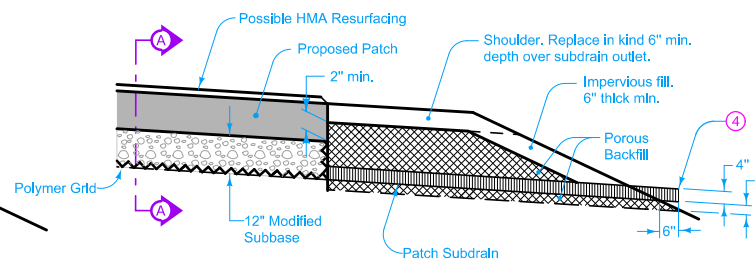
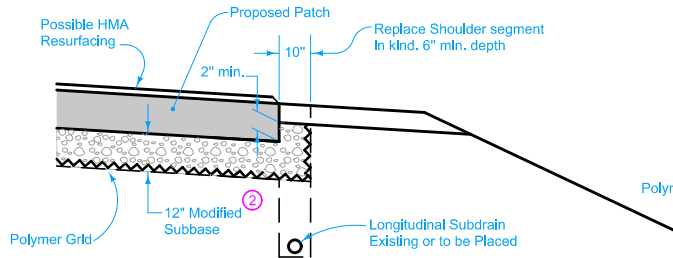
Place Full Depth Patch with 'EF' Joint after the final lift of asphalt has been placed. Porous Backfill and Subdrain may be placed prior to construction of resurfacing of shoulders.

Place Full Depth Patch according to Full Depth Patch specifications and Standard Road Plan PR-103, except as noted on this sheet.

Place Full Depth Patch and 'EF' Joint full width of the roadway. If roadway has PCC shoulders, extend 'CF' joint across shoulder. Cost of placing 'CF' joint is incidental to 'EF' joint.

See PV-101 for joint and bar placement details.

- ① Break out concrete within 1 1/2" of saw cut with hand tools to ensure near vertical face with minimal undercut or protrusion. No need to remove protrusions smaller than 2 inches if uniformly tapered from bottom of saw cut to bottom of pavement. A step or ledge on this face will not be allowed.
- ② 12 inches Modified Subbase is required under Full Depth Patch with 'EF' Joint. Extend Modified Subbase over longitudinal subdrain, if present.
- ③ Unless noted otherwise in the plans, depth of patch, T, is 12 inches regardless of existing pavement thickness.
- ④ If longitudinal subdrain (shoulder) is not to be placed or if it is not present on side of roadway to be patched, then place Patch Subdrain at low end(s) of patch.



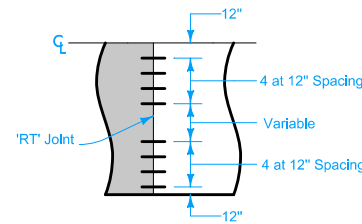
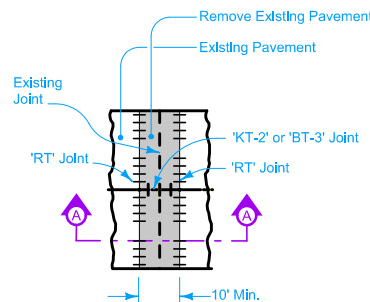
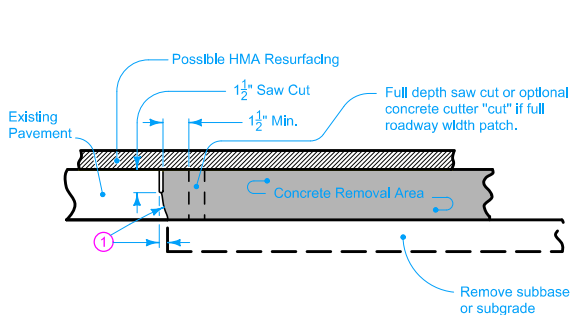
**MODIFIED SUBBASE AND SUBDRAIN**  
IF LONGITUDINAL SUBDRAIN IS PRESENT OR IS TO BE PLACED

**MODIFIED SUBBASE AND SUBDRAIN (4)**  
WITHOUT LONGITUDINAL SUBDRAIN

Possible Contract Items:

- Joint Assembly, EF
- Patches, Full-Depth Repair
- Patches by Count (Repair)
- Patches, Full-Depth Finish, by Count
- Patches, Full-Depth Finish, by Area
- Patches, Full-Depth Finish, by Area (50 feet or greater in length)
- Patch Subdrain
- Subbase Patch with EF Joint

Possible Tabulation:  
102-6C



**PAVEMENT REMOVAL DETAILS**

**FULL ROADWAY WIDTH PATCH**

**TYPICAL HALF PLAN**

<b>IOWA DOT</b>	REVISION	
	1	04-21-15
<b>STANDARD ROAD PLAN</b>		<b>PR-101</b>
		SHEET 1 of 1

REVISIONS: Removed references to rodent guards.

*Brian Smith*  
APPROVED BY DESIGN METHODS ENGINEER

**FULL DEPTH PATCH  
WITH 'EF' JOINT IN PCC**