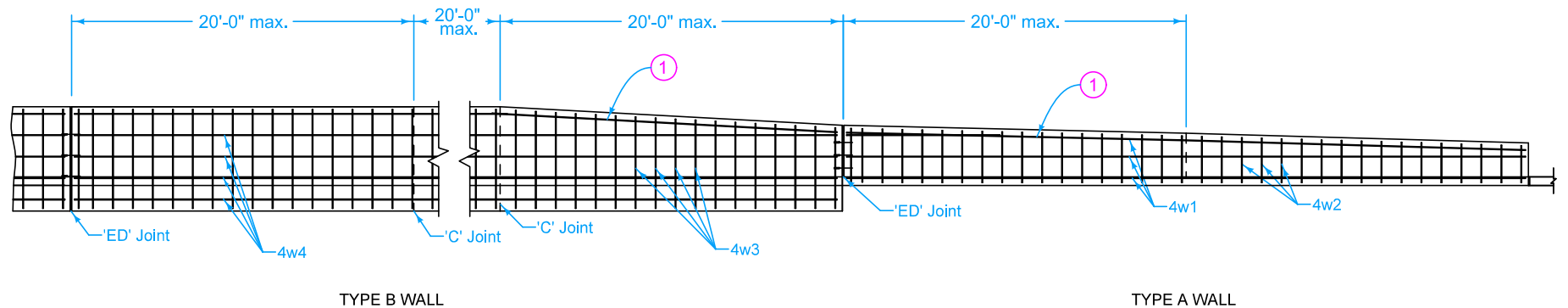
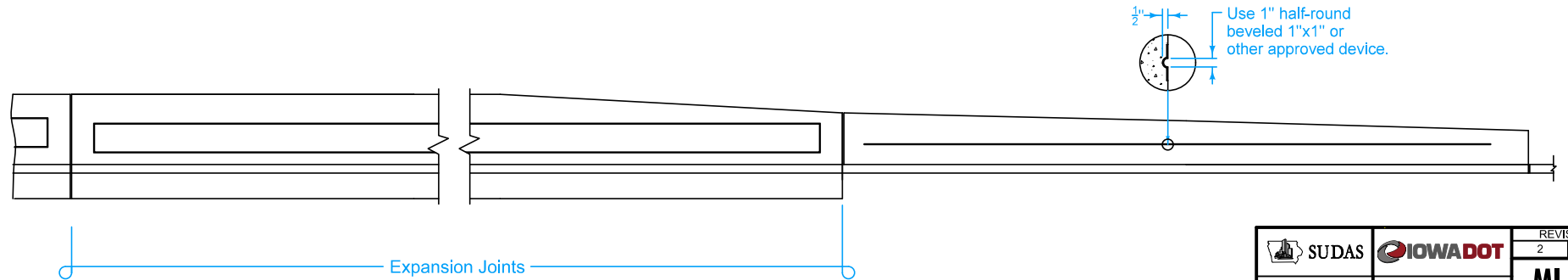


Provide a minimum concrete cover to near reinforcement of 1 1/2 inches. Provide 3 inches minimum cover at the ends of bars.

① Top bar parallel to top of wall. Lap 6 inch minimum as necessary. Tie securely.



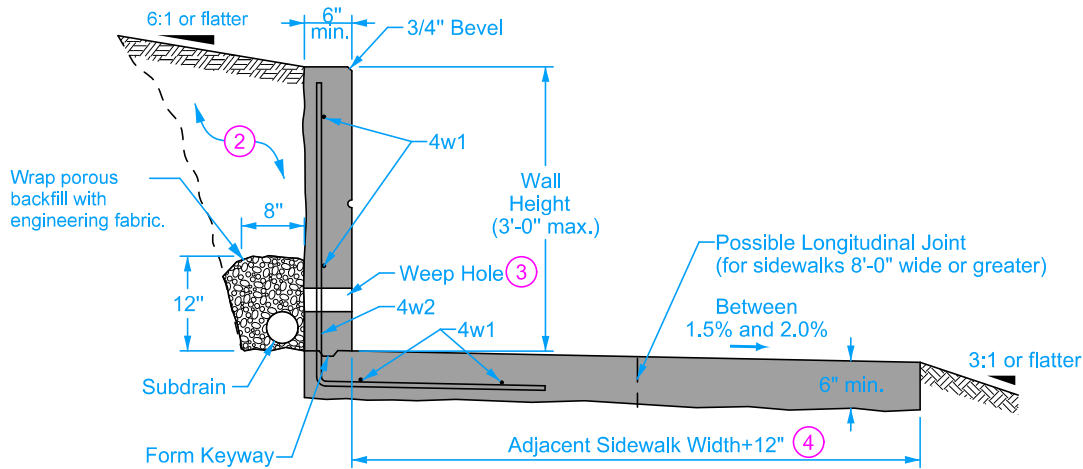
TYPICAL LONGITUDINAL SECTION OF RETAINING WALL



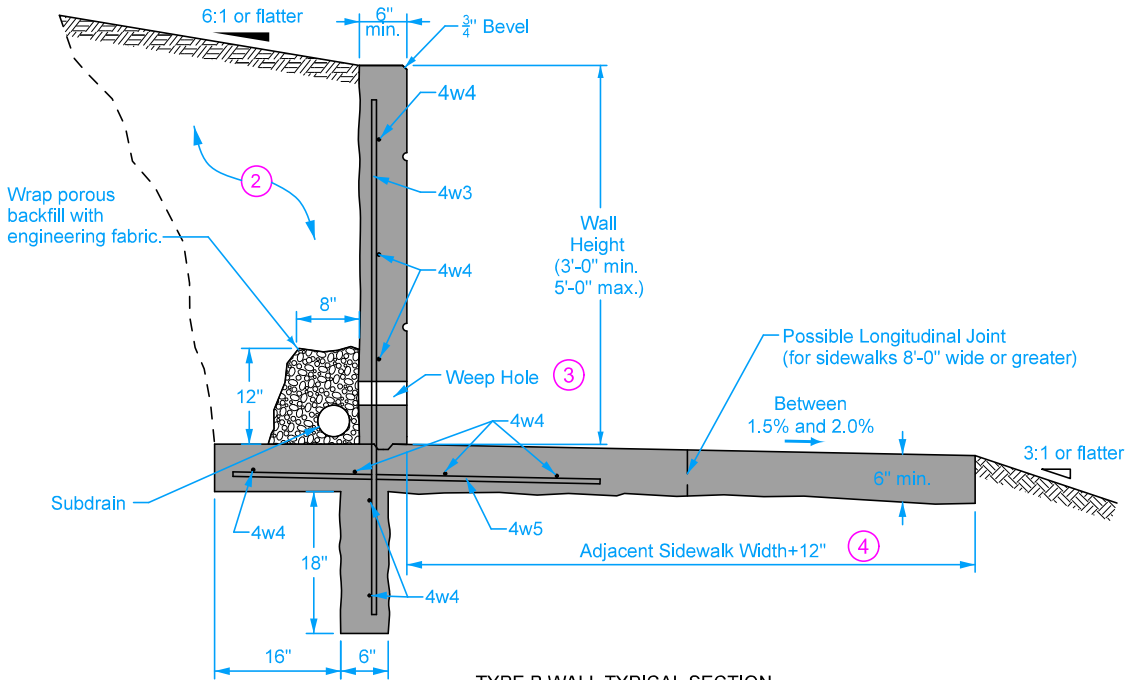
TYPICAL RUSTICATION DETAIL

FIGURE 9072.221 SHEET 1 OF 2

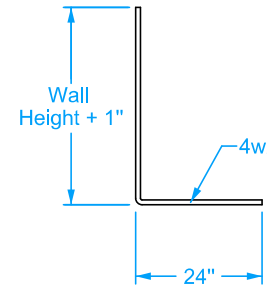
SUDAS	IOWADOT	REVISION
		2   10-20-15
<b>FIGURE 9072.221</b> STANDARD ROAD PLAN		<b>MI-221</b>
		SHEET 1 OF 2
<small>REVISIONS: Replaced DOT and SUDAS logos with new versions.</small>		
<i>Paul D. Wigand</i> SUDAS DIRECTOR		<i>Brian Smith</i> DESIGN METHODS ENGINEER
<b>COMBINED RETAINING WALL - SIDEWALK</b>		



TYPE A WALL TYPICAL SECTION



TYPE B WALL TYPICAL SECTION



BENT BARS

Provide a minimum concrete cover to near reinforcement of 1 1/2 inches. Provide 3 inches minimum cover at the ends of bars.

- ② Excavate and place backfill material as necessary.
- ③ Provide 3 inch diameter weep holes at 8 foot intervals. Install rodent guards in weep holes. Align bottom of weep hole with top of subdrain.
- ④ Additional 12 inch width is adjacent to wall.

REINFORCING BAR LIST

Wall Type	Mark	Size	Shape	Length	Spacing
Type A	4w1	4	—	Variable	15"
	4w2	4	L	Variable	14"
Type B	4w3	4	—	Wall Height + 18"	14"
	4w4	4	—	Variable	15"
	4w5	4	—	3'-10"	14"

		REVISION
		2   10-20-15
<b>FIGURE 9072.221</b>		<b>MI-221</b>
STANDARD ROAD PLAN		SHEET 2 OF 2
<small>REVISIONS: Replaced DOT and SUDAS logos with new versions.</small>		
<i>Paul D. Wigand</i> <small>SUDAS DIRECTOR</small>		<i>Brian Smith</i> <small>DESIGN METHODS ENGINEER</small>
<b>COMBINED RETAINING WALL - SIDEWALK</b>		