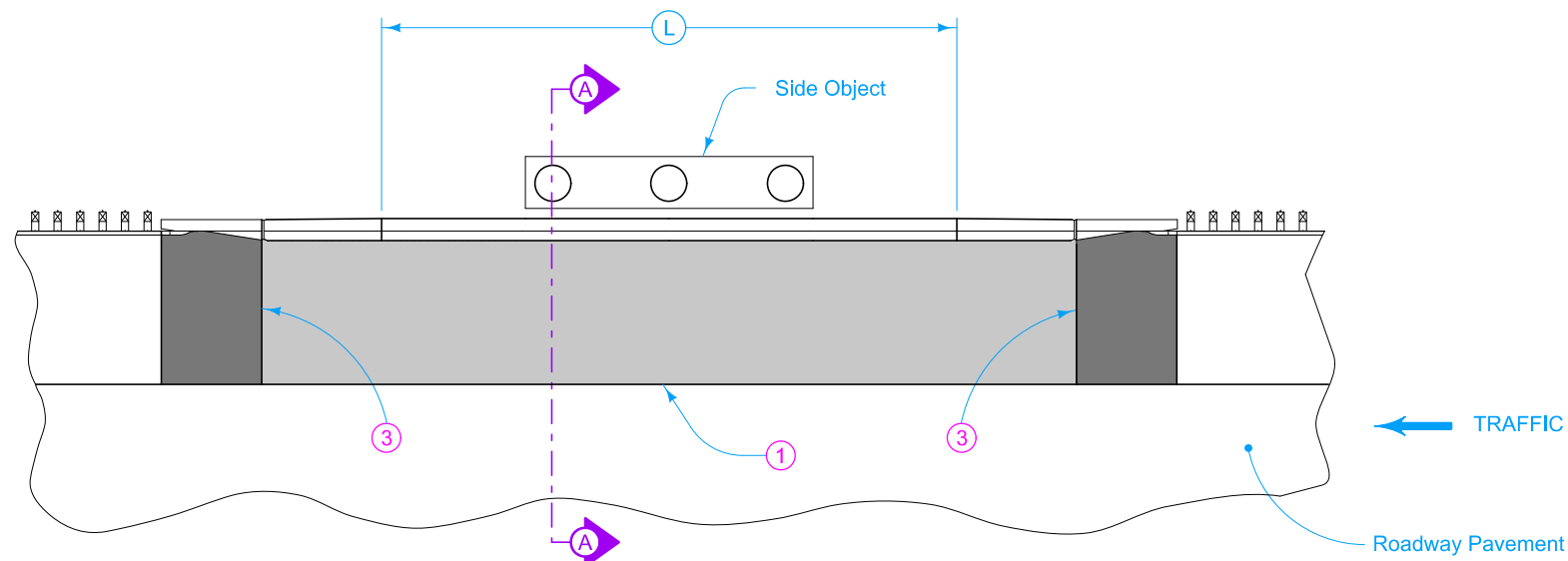


ELEVATION





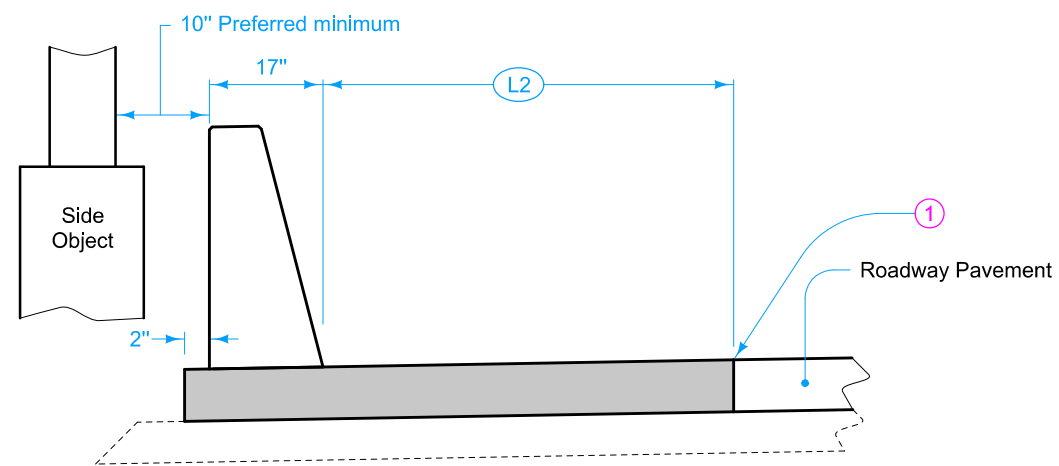
PLAN

- ① "L-2" or "KT-2" joint. When roadway pavement is existing, use "BT-3" joint. See PV-101.
- ② Refer to BA-250.
- ③ "C" Joint; match existing roadway joints when possible. See PV-101.
- ④ Refer to project typicals.
- ⑤ Refer to BA-106.



Possible Contract Items:
 Concrete Barrier items
 Steel Beam Guardrail items
 PCC Paved Shoulder
 Reinforced Paved Shoulder

Possible Tabulations:
 108-18B
 112-9

| LEGEND | |
|---|---------------------------------|
|  | PCC Paved Shoulder ④ |
|  | Reinforced PCC Paved Shoulder ⑤ |



SECTION A-A

| | | |
|--|----------|---------------|
|  | REVISION | |
| | 4 | 10-18-22 |
| STANDARD ROAD PLAN | | BA-150 |
| | | SHEET 1 of 1 |
| REVISIONS: Changed from F-shape to Texas single slope. | | |
|  APPROVED BY DESIGN METHODS ENGINEER | | |
| SIDE OBJECT PROTECTION WITH CONCRETE BARRIER AND GUARDRAIL | | |