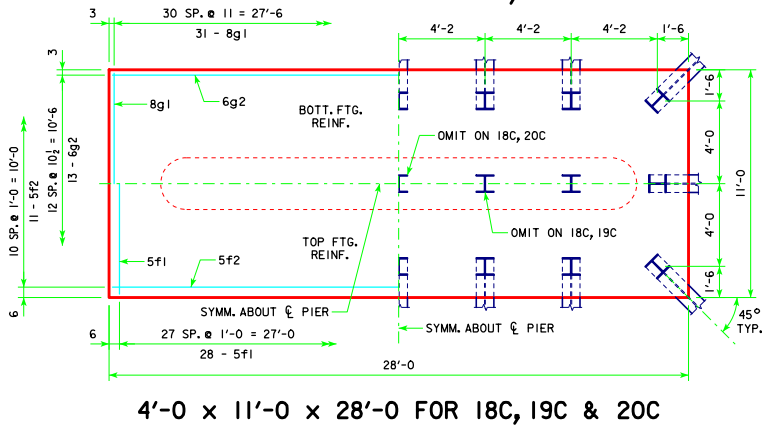
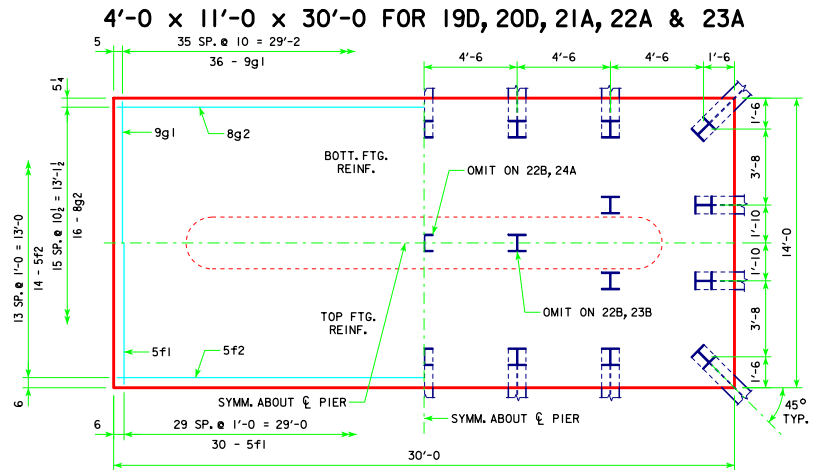
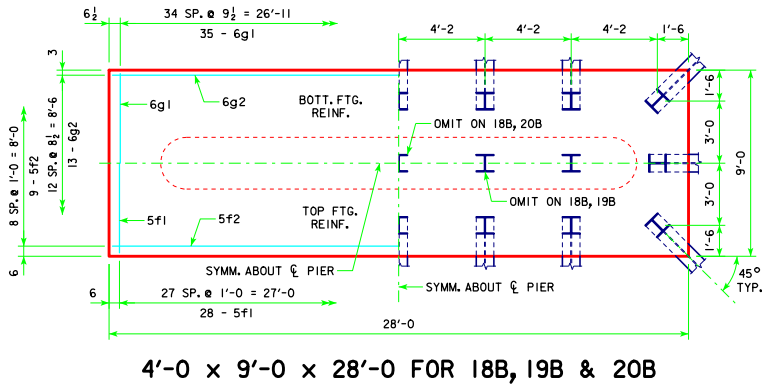
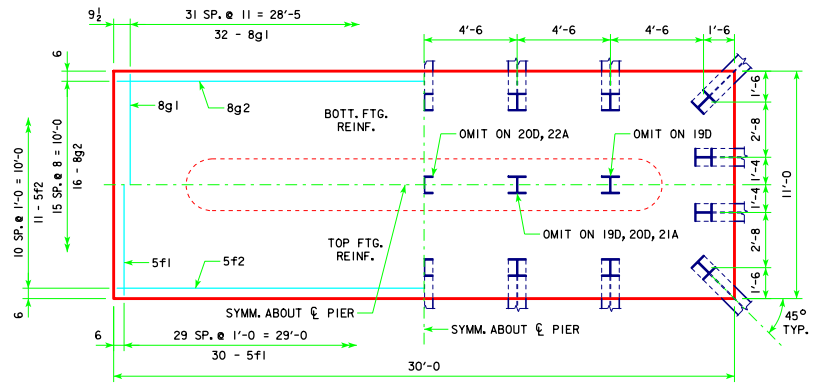
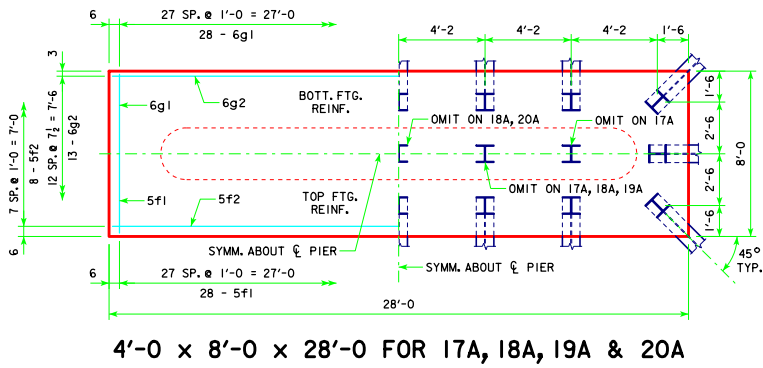


REVISED 05-13 - REVISION FOR LRFD PILE DESIGN.



NOTE:
SEE SHEET RS40-148-10 FOR FOOTING NOTES.

05-13 LATEST REVISION DATE	 APPROVED BY BRIDGE ENGINEER	 STANDARD DESIGN - 40' ROADWAY, 3 SPAN BRIDGES ROLLED STEEL BEAM BRIDGES JUNE, 2010	RS40-149-10