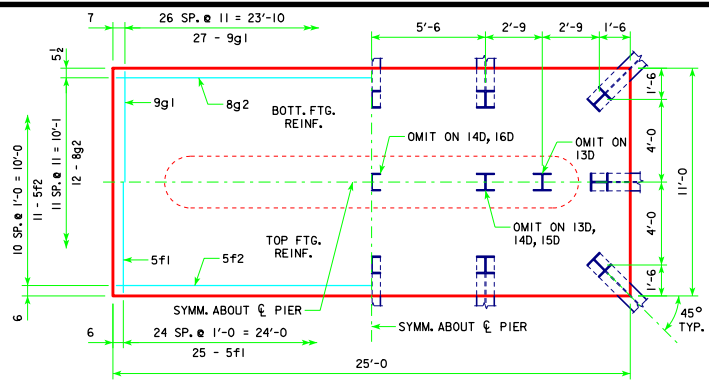
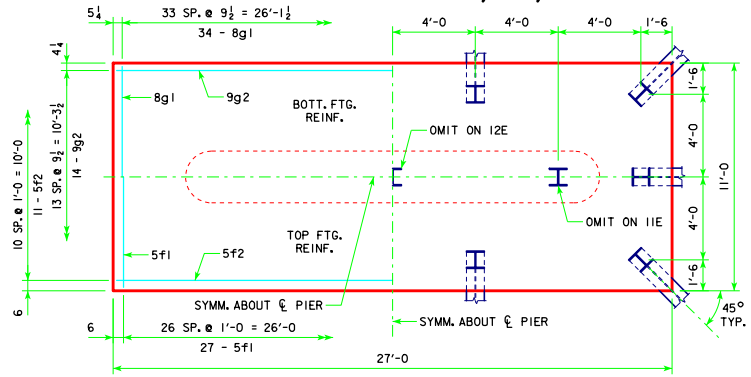


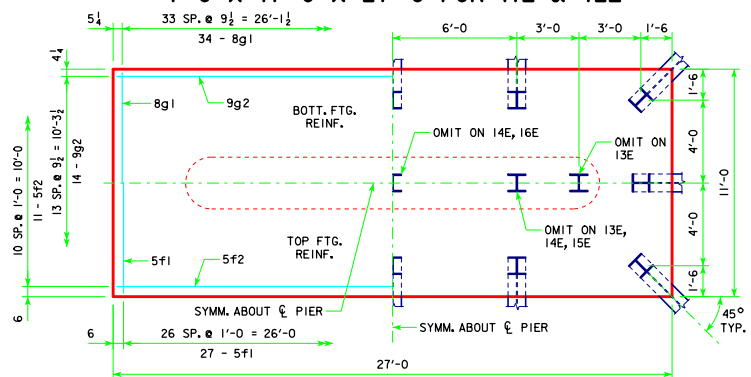
REVISED 05-13 - REVISION FOR LRFD PILE DESIGN.



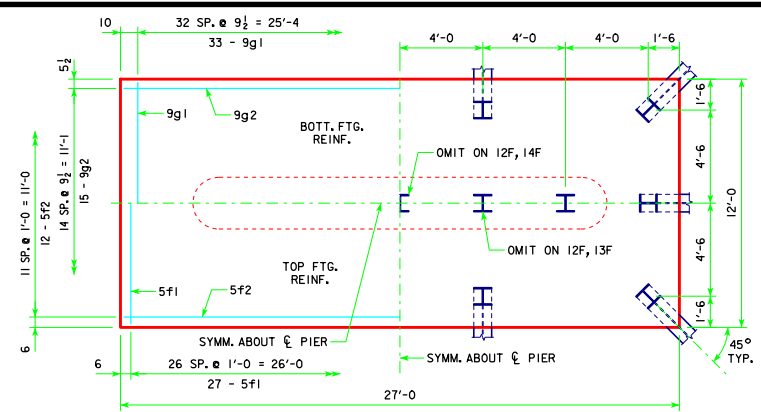
4'-0" x 11'-0" x 25'-0" FOR 13D, 14D, 15D & 16D



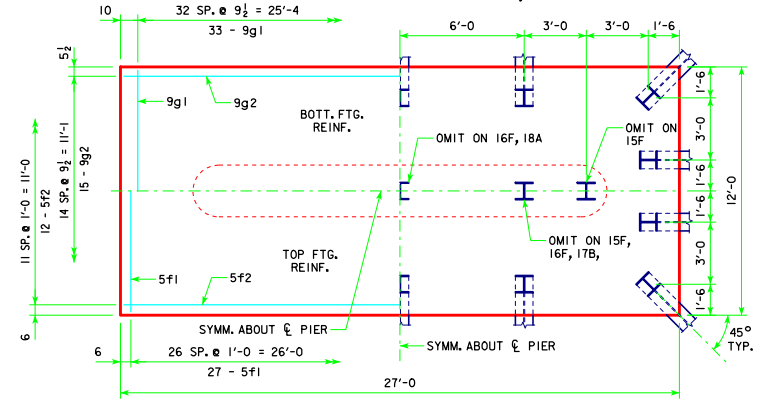
4'-0" x 11'-0" x 27'-0" FOR 11E & 12E



4'-0" x 11'-0" x 27'-0" FOR 13E, 14E, 15E, 16E & 17A



4'-0" x 12'-0" x 27'-0" FOR 12F, 13F & 14F



4'-0" x 12'-0" x 27'-0" FOR 15F, 16F, 17B, 18A & 19A

NOTE:  
SEE SHEET RS40-121-10 FOR FOOTING NOTES.

05-13 LATEST REVISION DATE	APPROVED BY BRIDGE ENGINEER <i>Thomas E. McQuinn</i>		<b>ROLLED STEEL BEAM BRIDGES</b> STANDARD DESIGN - 40' ROADWAY, 3 SPAN BRIDGES JUNE, 2010
		<b>TEE PIER-HPI0x57 SRL-2 STEEL PILE FOOTINGS</b>	