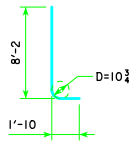


TYPICAL SECTION

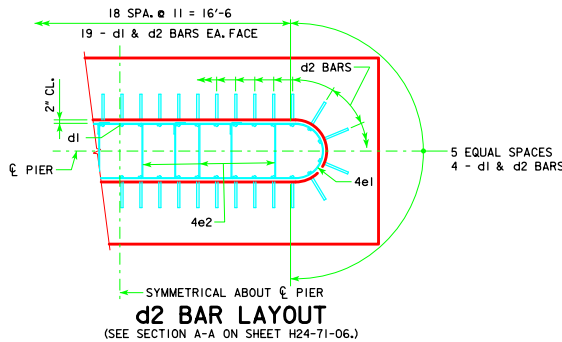


d2

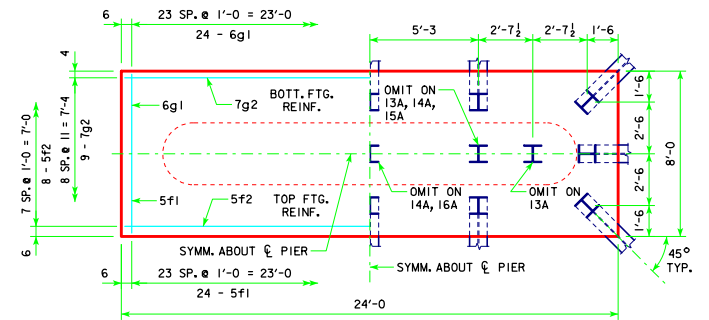
NOTE: D = PIN DIAMETER.  
DIMENSIONS ARE OUT TO OUT.

H IN FT.	CL - CL ABUT. BRG.	PILING (HP10x57)		FOOTING SIZE
		NO. & LAYOUT	① LRFD P <sub>u</sub> STRENGTH I <sub>d</sub> DES. LOAD (KIPS)	
18 TO 16	201'-4	13A	146	3'-6 x 8' x 24'
	213'-10	14A	139	
	226'-4	14A	145	
	243'-0	15A	144	
21 TO 19	201'-4	14A	139	3'-6 x 8' x 24'
	213'-10	14A	145	
	226'-4	15A	144	
	243'-0	16A	142	
24 TO 22	201'-4	14B	142	3'-6 x 9' x 24'
	213'-10	14B	147	
	226'-4	15B	146	
	243'-0	16B	144	

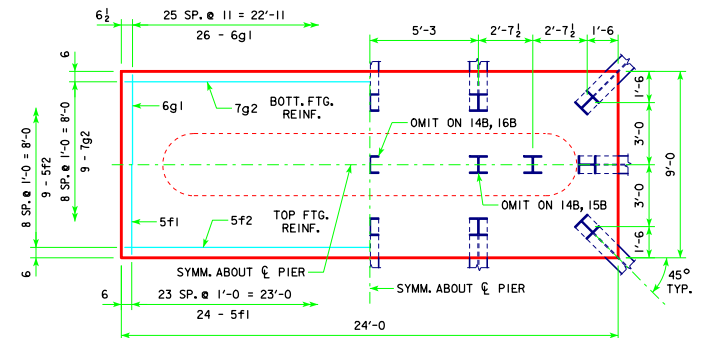
FOOTING SIZE	REINFORCING STEEL (ONE FOOTING)				STRUCTURAL CONCRETE (CY)
	BAR NO., SIZE & SPACING	LENGTH	WEIGHT (LB.)	TOTAL WEIGHT (LB.)	
3'-6 x 8' x 24'	d2 46 - #10 AS SHOWN	10'-0	1979	3079	24.9
	f1 24 - #5 @ 1'-0	7'-8	192		
	f2 8 - #5 @ 1'-0	23'-8	197		
	g1 24 - #6 @ 1'-0	7'-8	276		
	g2 9 - #7 @ 0'-11	23'-8	435		
	d2 46 - #10 AS SHOWN	10'-0	1979		
3'-6 x 9' x 24'	f1 24 - #5 @ 1'-0	8'-8	217	3191	28.0
	f2 9 - #5 @ 1'-0	23'-8	222		
	g1 26 - #6 @ 0'-11	8'-8	338		
	g2 9 - #7 @ 1'-0	23'-8	435		



① NOTE: P<sub>u</sub> STRENGTH I DESIGN LOAD (KIPS) IS NOT THE VALUE  
USED IN THE FIELD FOR DRIVING PILES.



3'-6 x 8'-0 x 24'-0 FOR 13A, 14A, 15A & 16A



3'-6 x 9'-0 x 24'-0 FOR 14B, 15B & 16B

FOOTING NOTES:

THESE FOOTINGS ARE DESIGNED AND DETAILED TO BE USED WITH THE CAP AND COLUMN DETAILS OF THE TEE PIERS AS SHOWN ON SHEET H24-71-06.

BATTER PILES IN EXTERIOR ROWS 1:4 IN THE DIRECTION SHOWN.

STEEL PILING USED AS POINT BEARING SHALL HAVE A MINIMUM DISTANCE OF APPROXIMATELY 10 FEET FROM BOTTOM OF FOOTING TO TOP OF BEARING ROCK. THE PILE LAYOUTS ARE SUCH THAT THE DISTANCE CENTER TO CENTER OF ADJACENT PILING SHALL NOT EXCEED 8'-0.

PIER PILES SHALL BE DRIVEN TO VALUES SHOWN IN DESIGN PLANS.

LATEST REVISION DATE 05-13	APPROVED BY BRIDGE ENGINEER <i>Thomas E. McQuill</i>	<b>Iowa Department of Transportation</b> Highway Division	
		STANDARD DESIGN - 24' ROADWAY, THREE SPAN BRIDGE <b>PRETENSIONED PRESTRESSED CONCRETE BEAM BRIDGES</b> DECEMBER, 2006	
		<b>TEE PIER-HP10x57 SRL-1 STEEL PILE FOOTINGS</b> 45° SKEW - H=16' TO 24'	<b>H24-72-06</b>